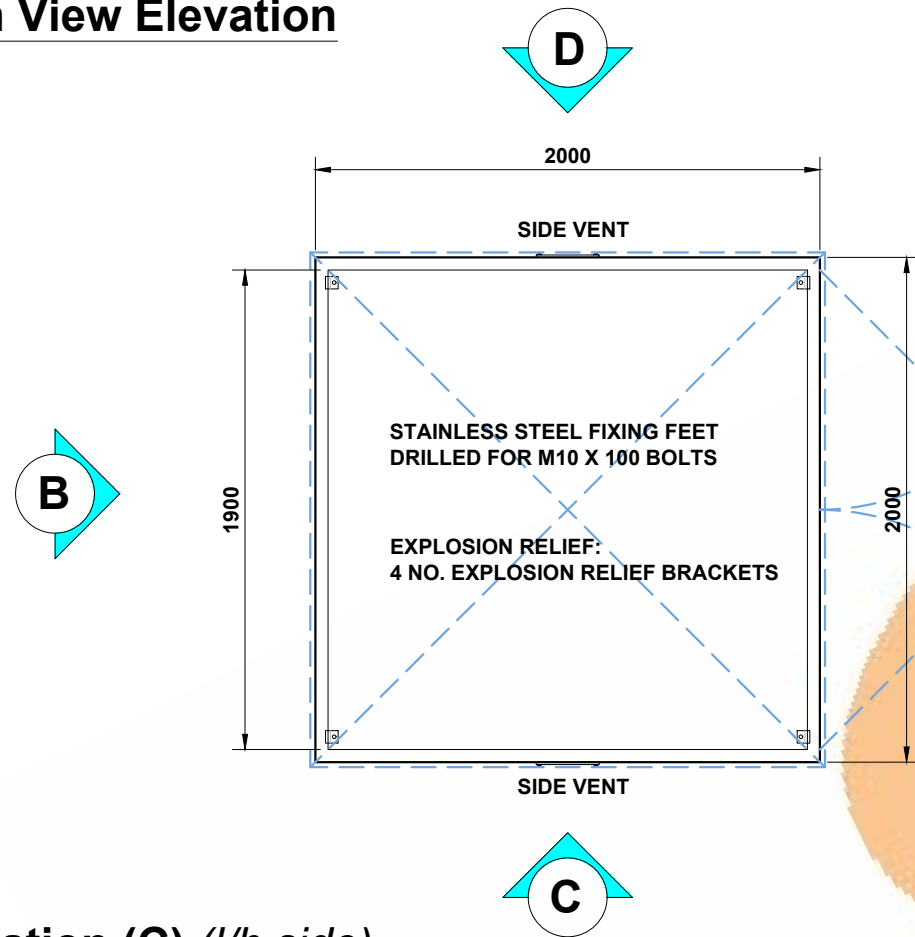
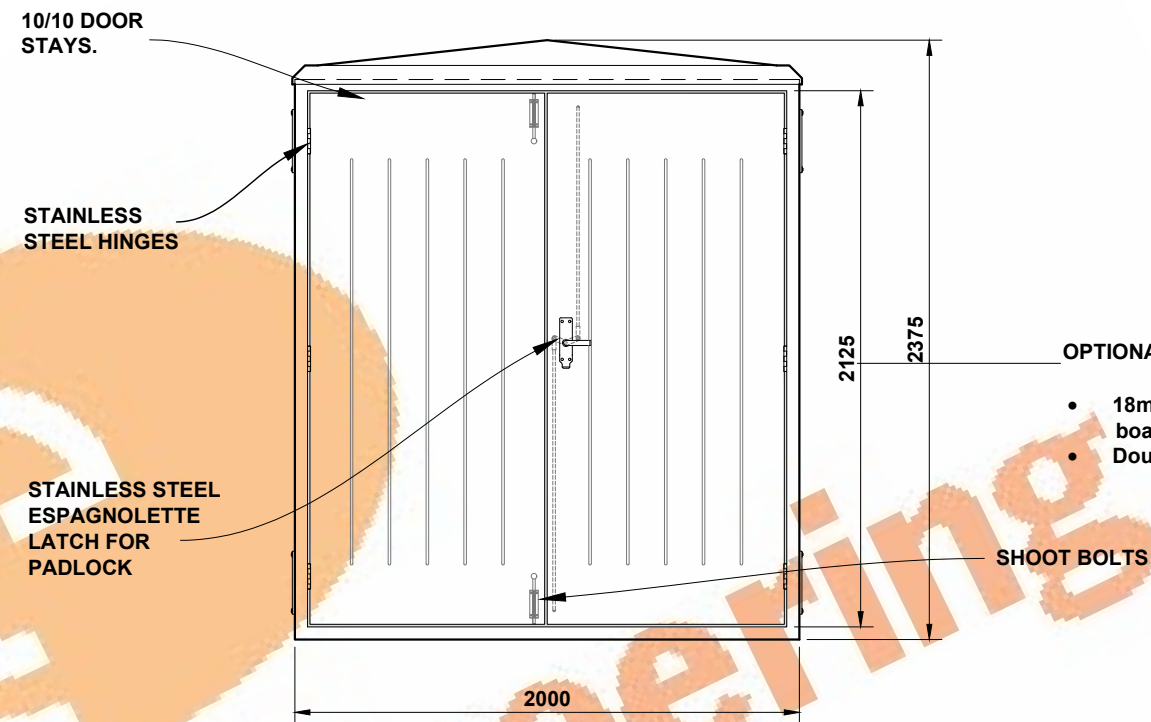


Plan View Elevation

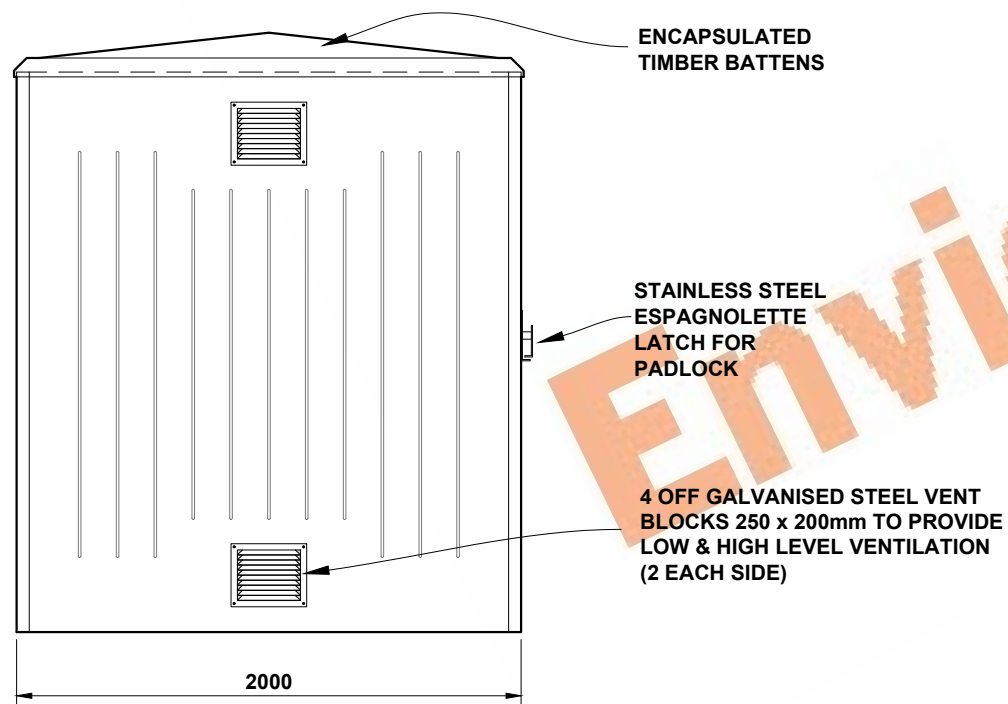


Elevation (A) (front)

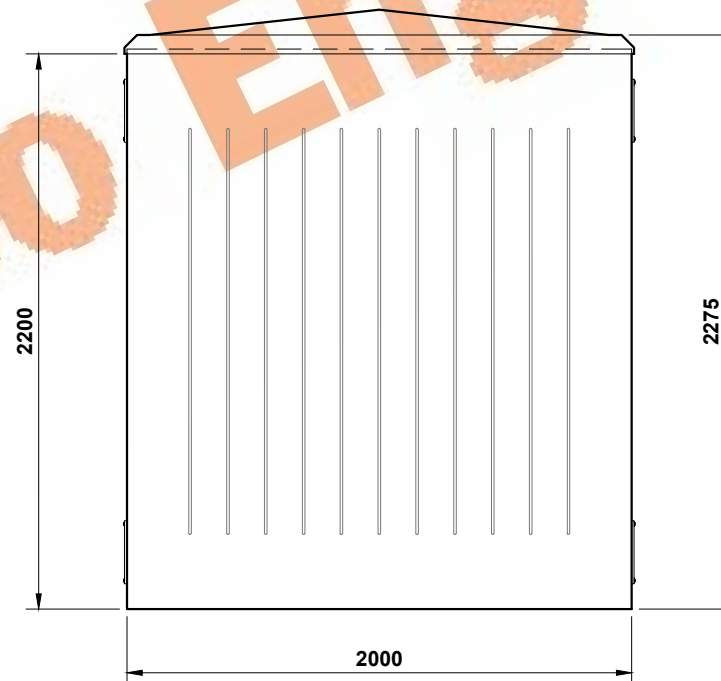


- OPTIONAL EXTRAS:**
- 18mm Sadolin treated mounting board to inside of rear wall.
 - Double skin.

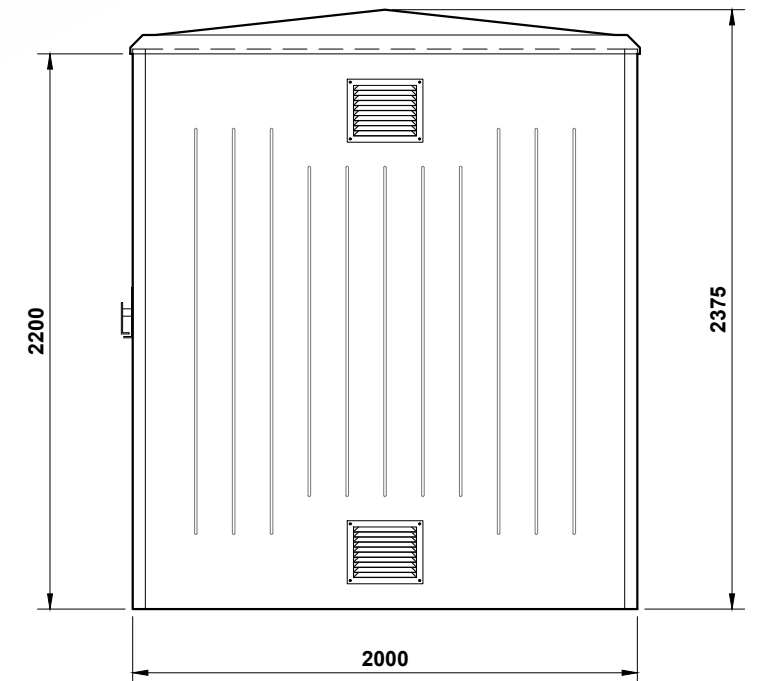
Elevation (C) (l/h side)



Elevation (B) (rear)



Elevation (D) (r/h side)



INTERNAL WIDTH : 1890mm

INTERNAL DEPTH : 1890mm

INTERNAL HEIGHT : 2275mm

GRP HOUSING : TRANSFORMER TYPE TR11

Drawing Scale : Not To Scale

Drawing No : TR11

Rev :