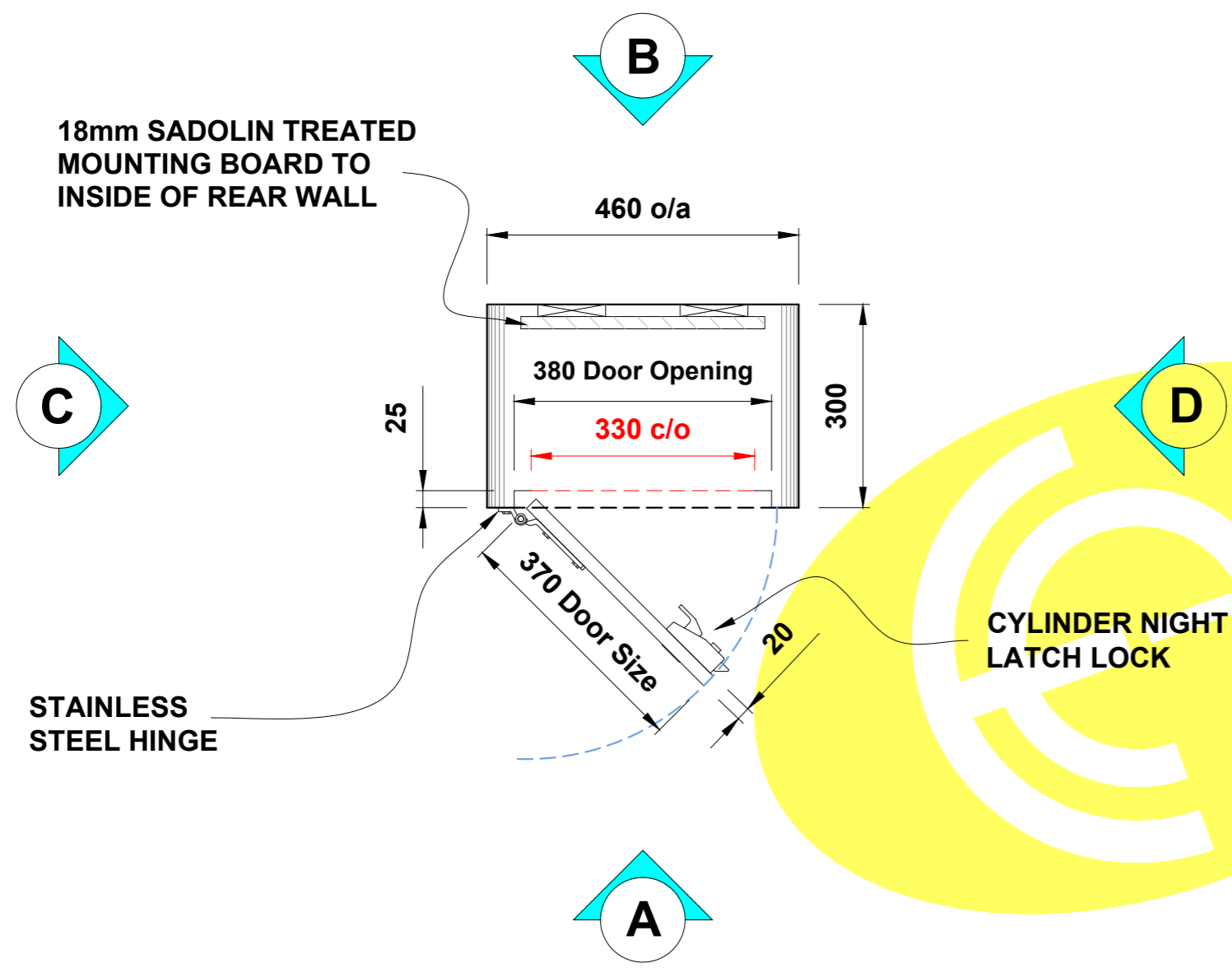
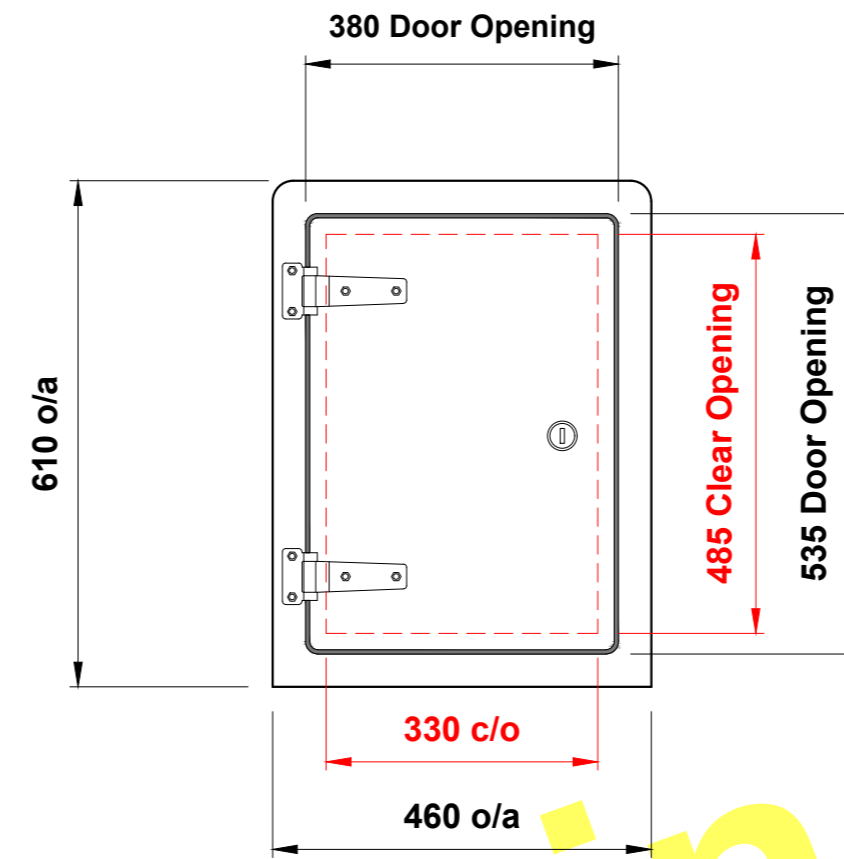


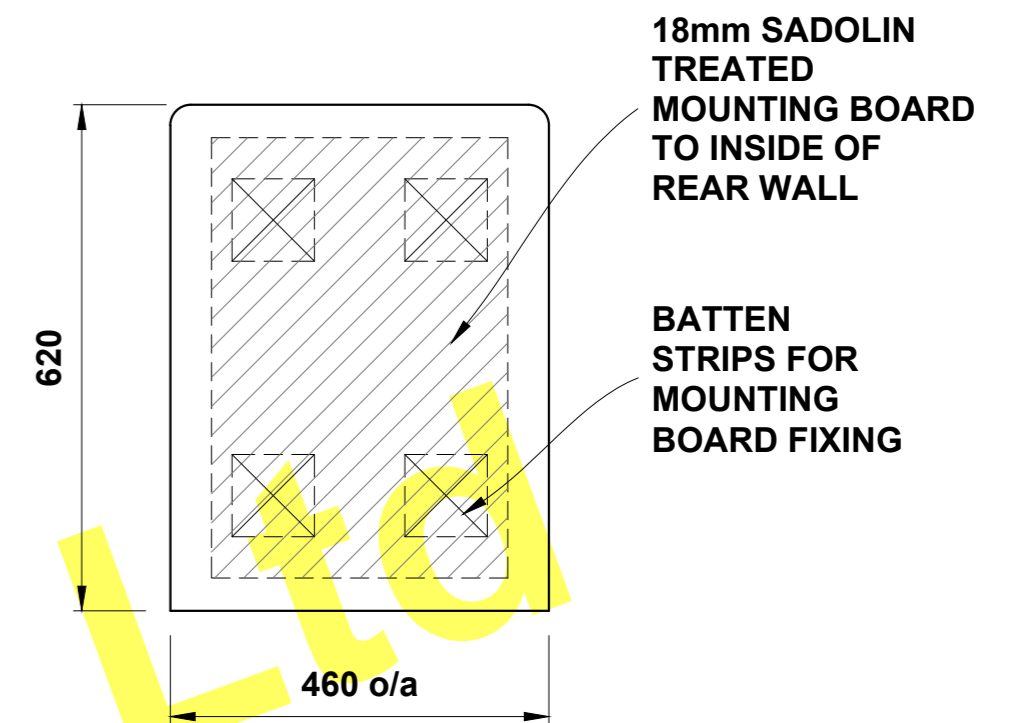
Plan View Elevation - Roadside Range Meter Cabinet



Elevation (A) (front)



Elevation (B) (rear)

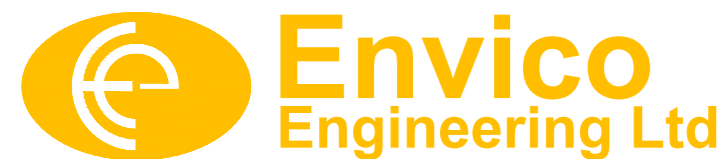
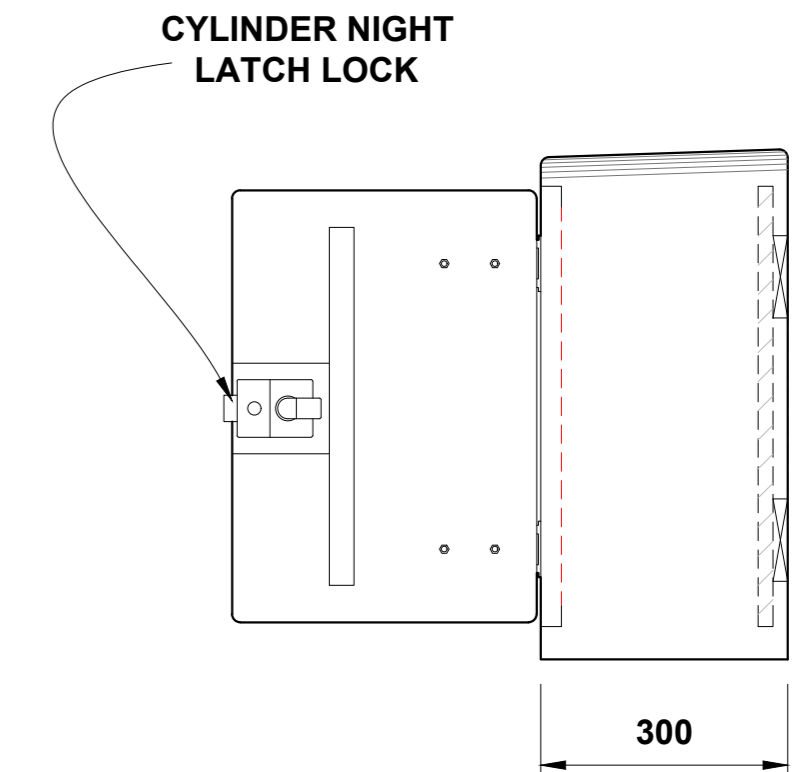
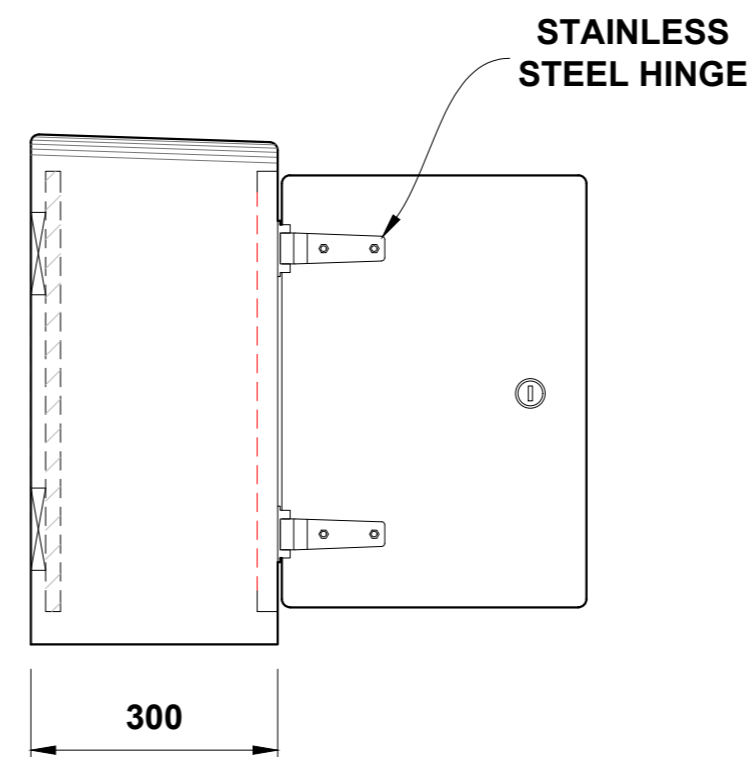
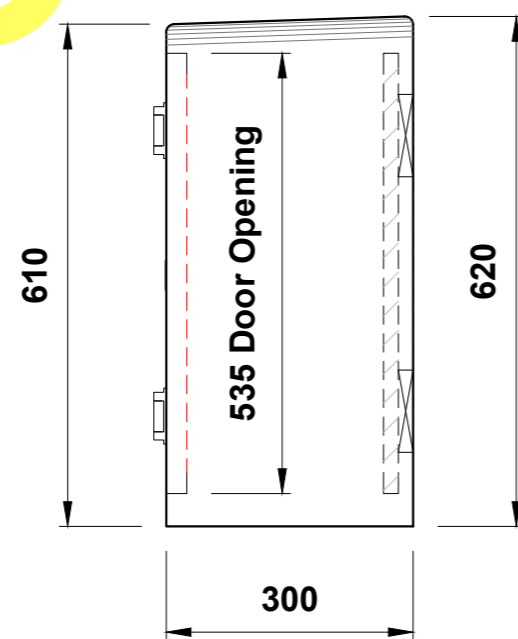
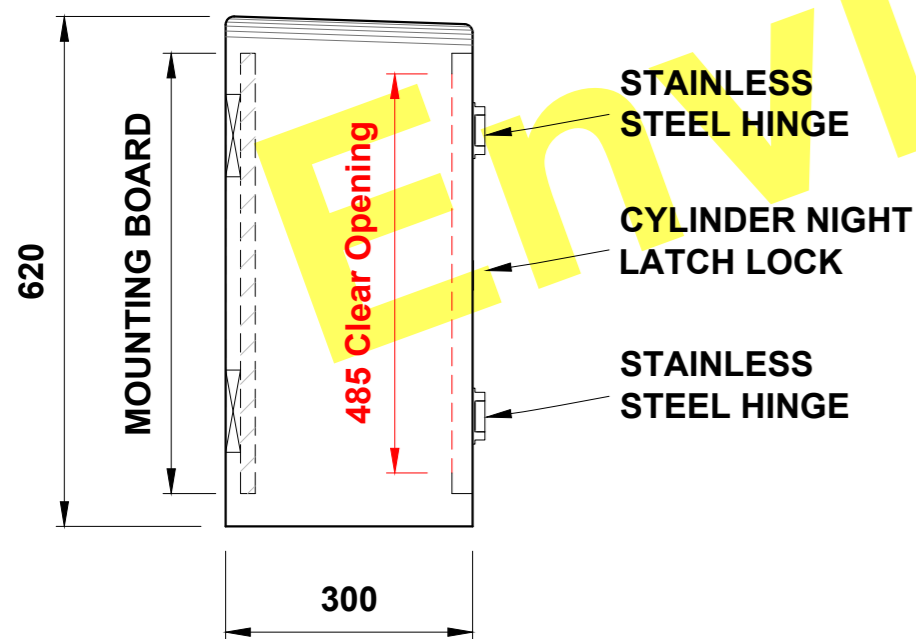


Elevation (C) (l/h side)

Elevation (D) (r/h side)

Elevation (C) (l/h side) Door Open

Elevation (D) (r/h side) Door Open



Envico Engineering Limited

Tel : 01792 794 619
Fax : 01792 793 532

Nantylfin Road (South), Enterprise park, Llansamlet
Swansea, SA7 9RG, South Wales.

INTERNAL WIDTH : 450mm

INTERNAL DEPTH : 265mm

INTERNAL HEIGHT : 600mm

APPROX. WEIGHT : 13kg

Date : 14/06/2019

Drawn By : D O'Malley

GRP HOUSING : ROADSIDE RANGE METER CABINET

Drawing Scale : Not To Scale

Drawing No : METER CABINET

Rev :

THE DRAWING AND DESIGN IS THE PROPERTY OF ENVICO ENGINEERING LTD. AND WITHOUT THE WRITTEN CONSENT OF ENVICO ENGINEERING LTD. MAY NOT BE COPIED IN WHOLE OR IN PART OR COMMUNICATED TO A THIRD PARTY OR USED FOR ANY PURPOSE.