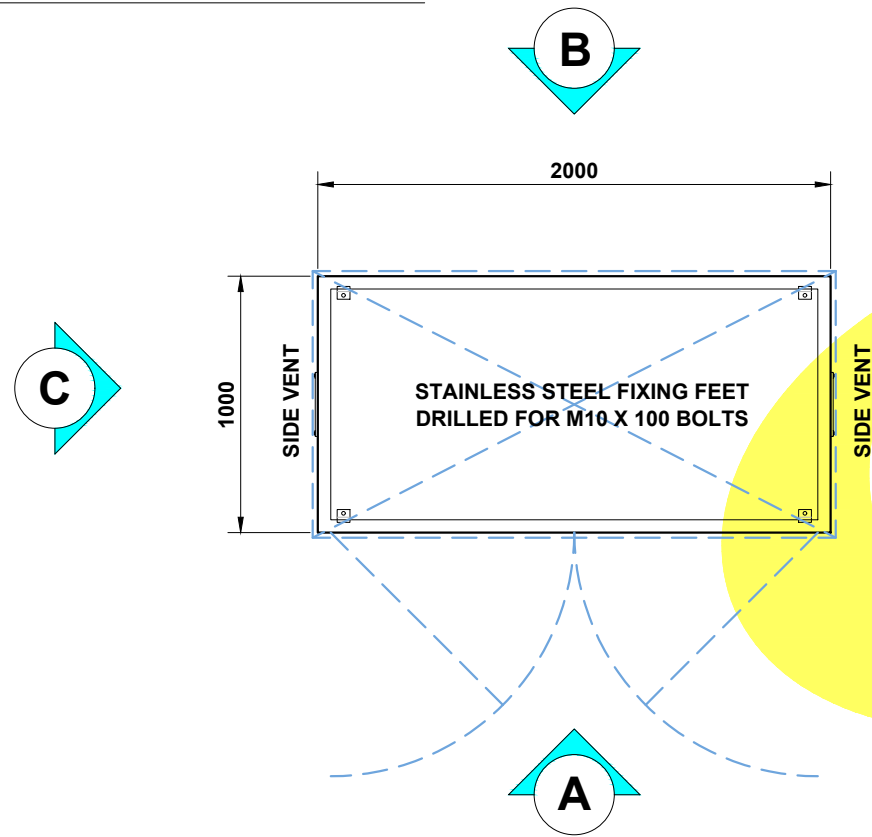
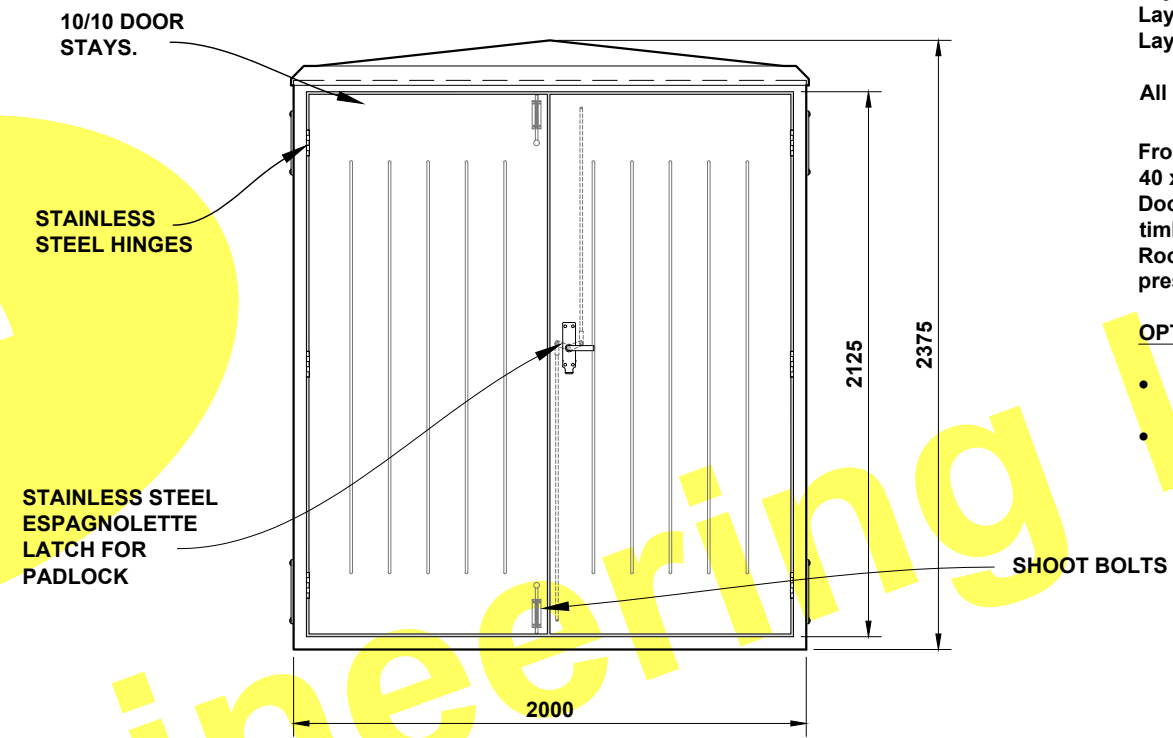


Plan View Elevation



Elevation (A) (front)



G.R.P Construction

- Layer 1. Gel Coat, Coloured.
- Layer 2. 450GRM/M.SQ Glass & Resin
- Layer 3. 450GRM/M.SQ Glass & Resin
- Layer 4. 450GRM/M.SQ Glass & Resin

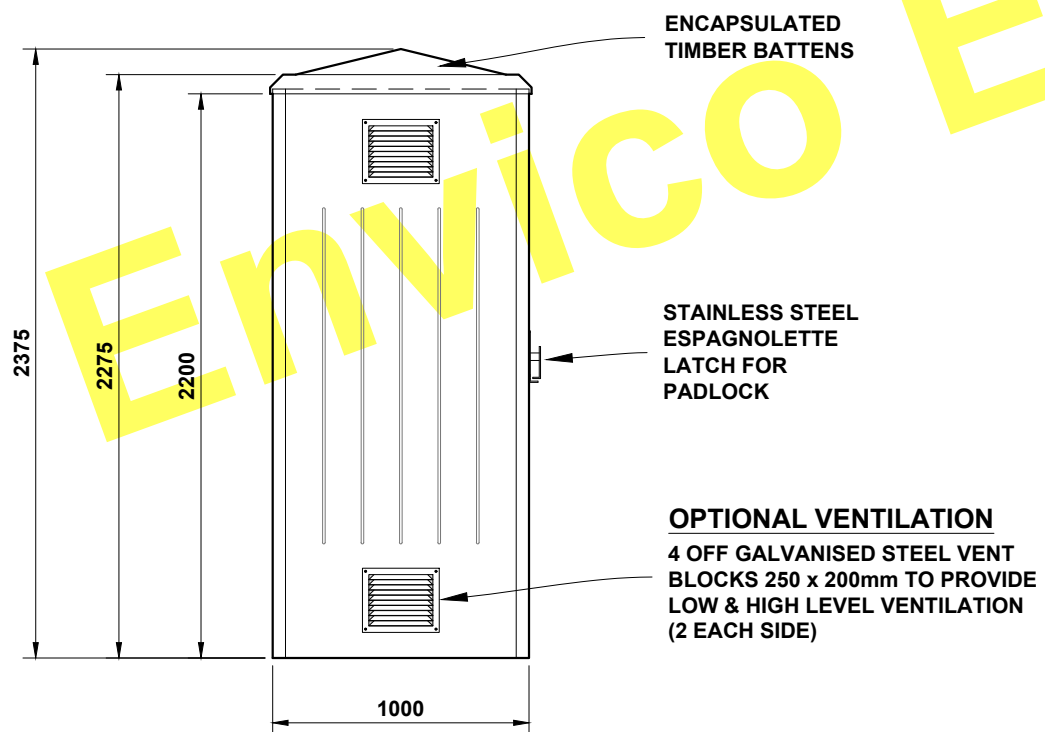
All resin to class II fire retardent grade.

Front & back reinforced by welded 40 x 40 steel box frame.
Doors to have steel all round with timber stiffners.
Roof to have timber stiffners with pressed steel angle around base.

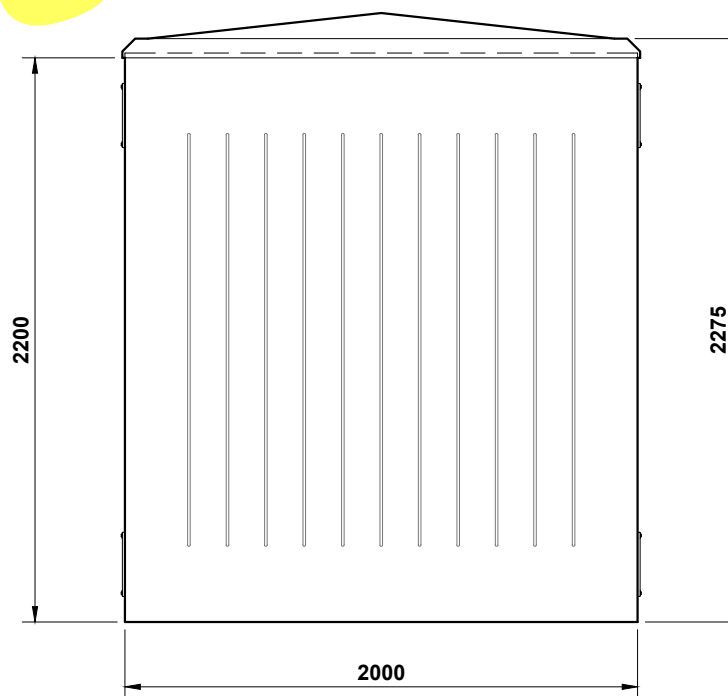
OPTIONAL EXTRAS:

- 18mm Sadolin treated mounting board to inside of rear wall.
- Double skin.

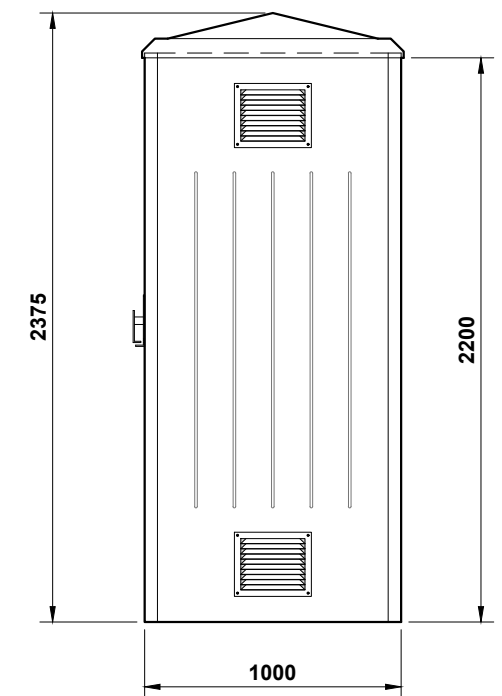
Elevation (C) (l/h side)



Elevation (B) (rear)



Elevation (D) (r/h side)



THE DRAWING AND DESIGN IS THE PROPERTY OF ENVICO ENGINEERING LTD. AND WITHOUT THE WRITTEN CONSENT OF ENVICO ENGINEERING LTD. MAY NOT BE COPIED IN WHOLE OR IN PART OR COMMUNICATED TO A THIRD PARTY OR USED FOR ANY PURPOSE.

Envico Engineering Limited

Tel : 01792 794 619
Fax : 01792 793 532

Nantffyn Road (South), Enterprise park, Llansamlet
Swansea, SA7 9RG, South Wales.

INTERNAL WIDTH : 1890mm

INTERNAL DEPTH : 890mm

INTERNAL HEIGHT : 2275mm

APPROX. WEIGHT : 000kg

Date : 14/02/2017

Drawn By : D O'Malley

GRP HOUSING : TRANSFORMER TYPE TR12

Drawing Scale : Not To Scale

Drawing No : TR12

Rev :