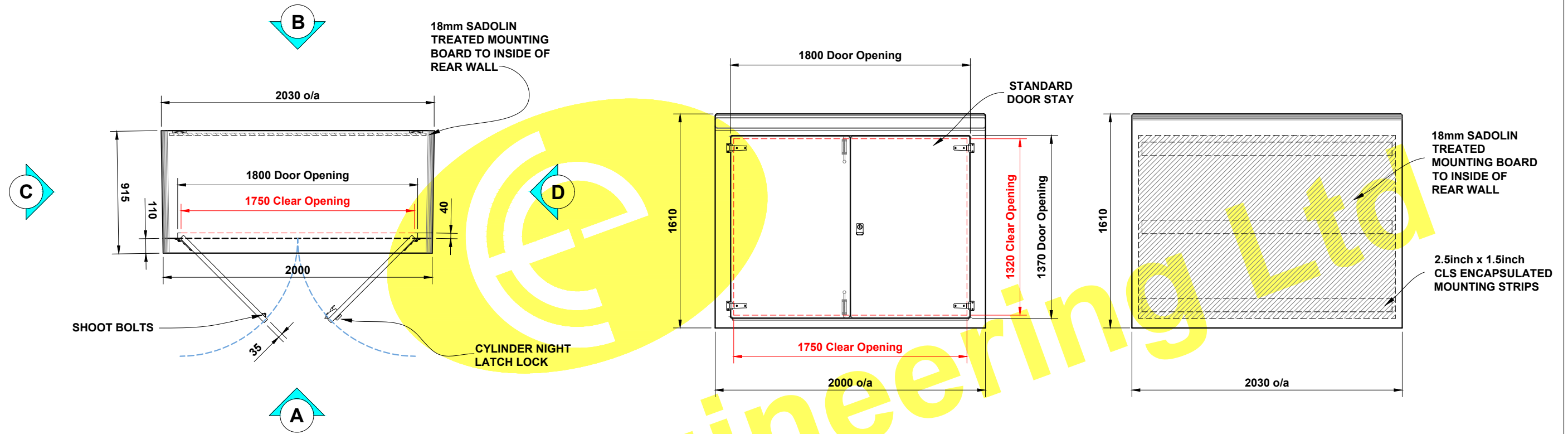


Plan View Elevation - Roadside Range Type G

Elevation (A) (front)

Elevation (B) (rear)

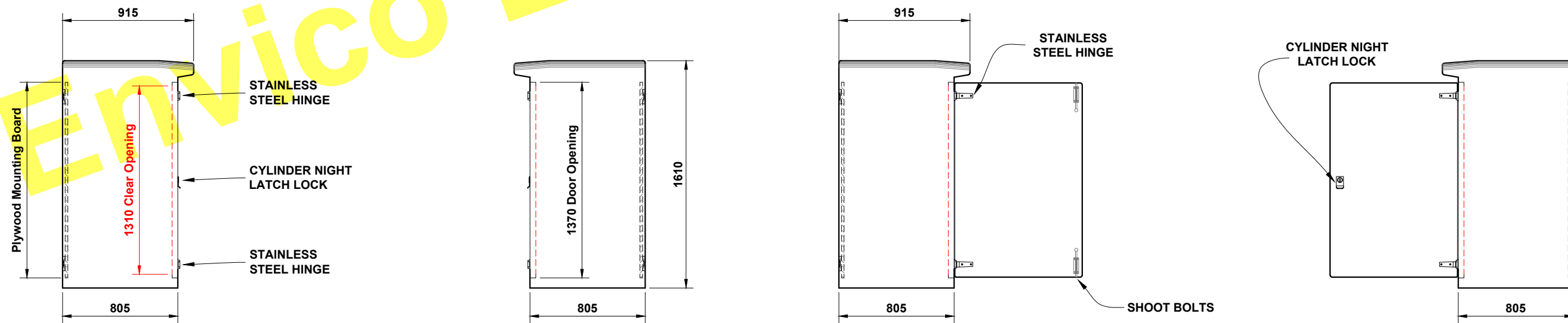


Elevation (C) (l/h side)

Elevation (D) (r/h side)

**Elevation (C) (l/h side)
Door Open**

**Elevation (D) (r/h side)
Door Open**



Envico Engineering Limited

Tel : 01792 794 619

Fax : 01792 793 532

Nantyffin Road (South), Enterprise park, Llansamlet
Swansea, SA7 9RG, South Wales.

INTERNAL WIDTH : 1980mm

INTERNAL DEPTH : 740mm

INTERNAL HEIGHT : 1540mm

APPROX. WEIGHT : 250kg

Date : 14/02/2019

Drawn By : D O'Malley

GRP HOUSING : ROADSIDE RANGE TYPE G

Drawing Scale : Not To Scale

Drawing No : TYPE G

Rev :

THE DRAWING AND DESIGN IS THE PROPERTY OF ENVICO ENGINEERING LTD. ©
AND WITHOUT THE WRITTEN CONSENT OF ENVICO ENGINEERING LTD. MAY
NOT BE COPIED IN WHOLE OR IN PART OR COMMUNICATED TO A THIRD
PARTY OR USED FOR ANY PURPOSE.