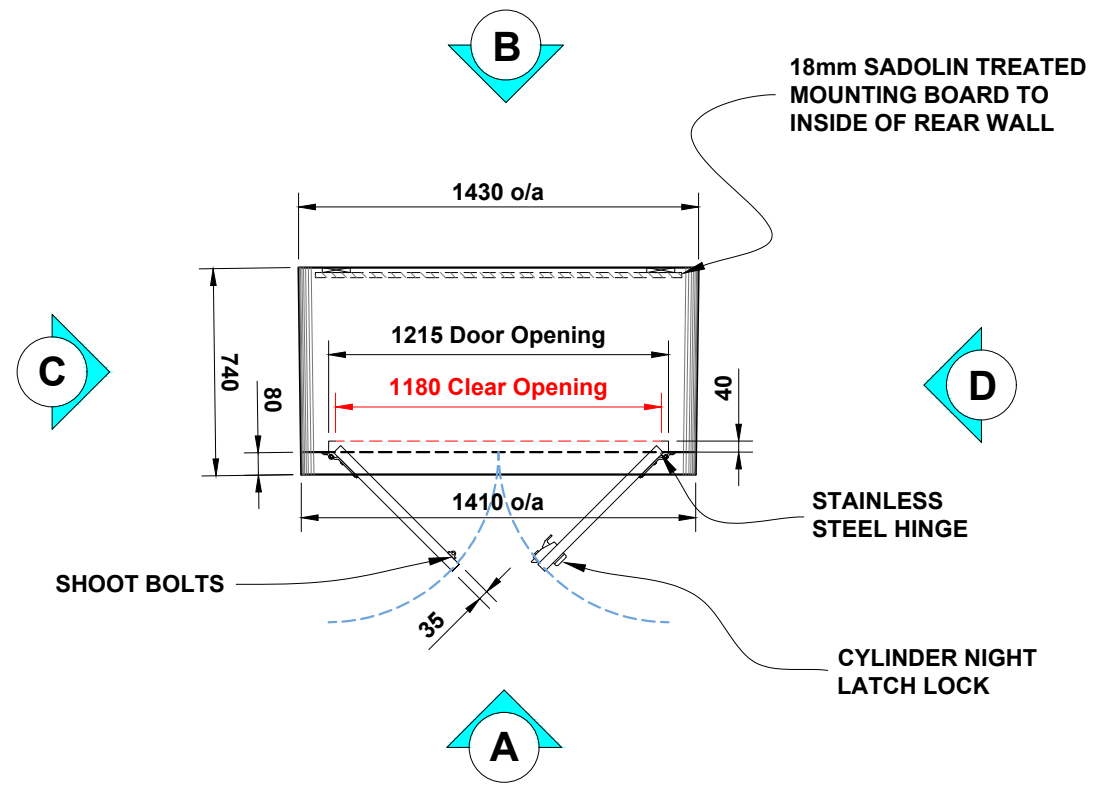
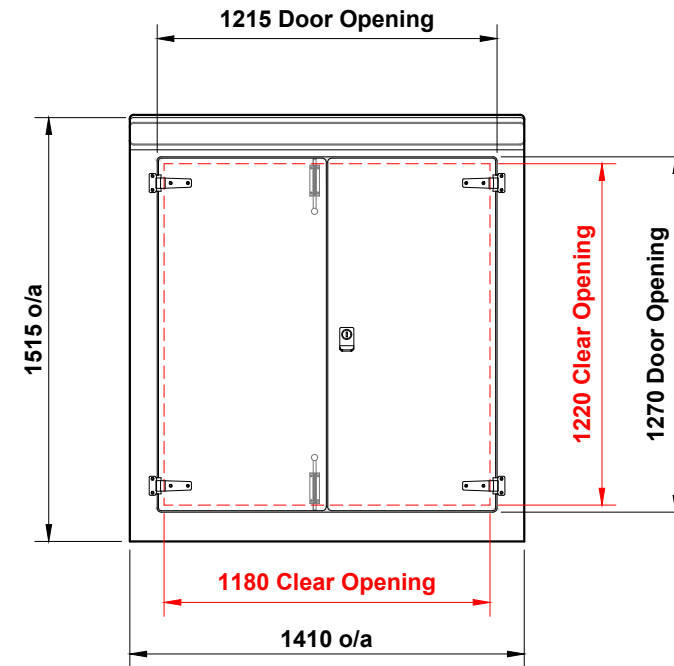


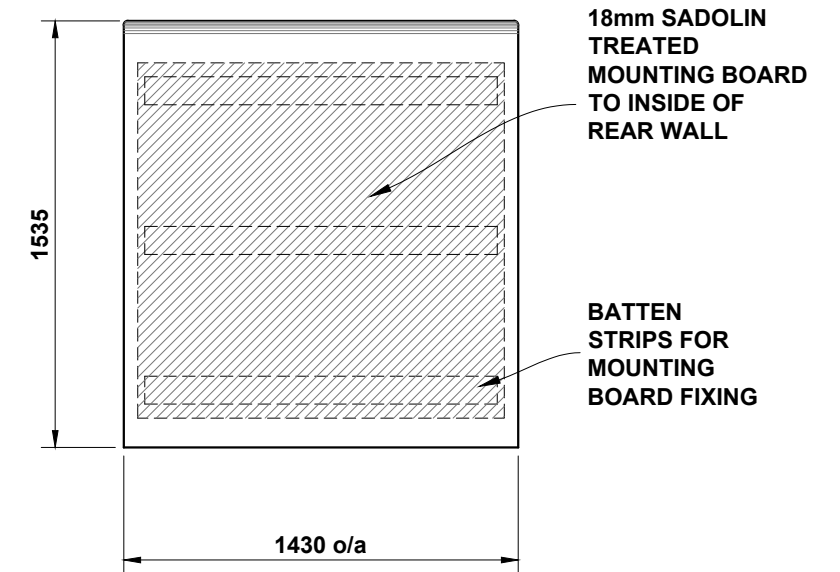
# Plan View Elevation - Roadside Range Type J



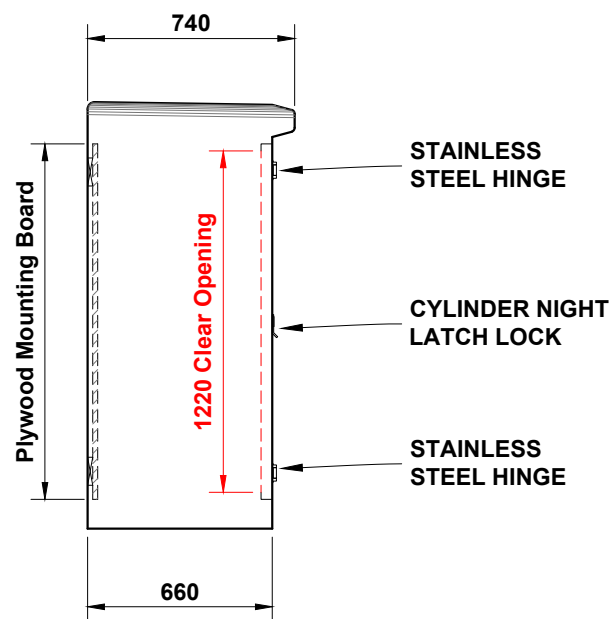
# Elevation (A) (front)



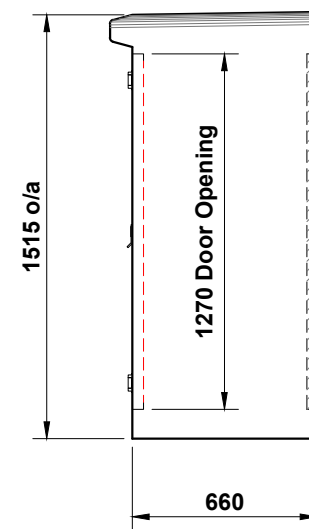
# Elevation (B) (rear)



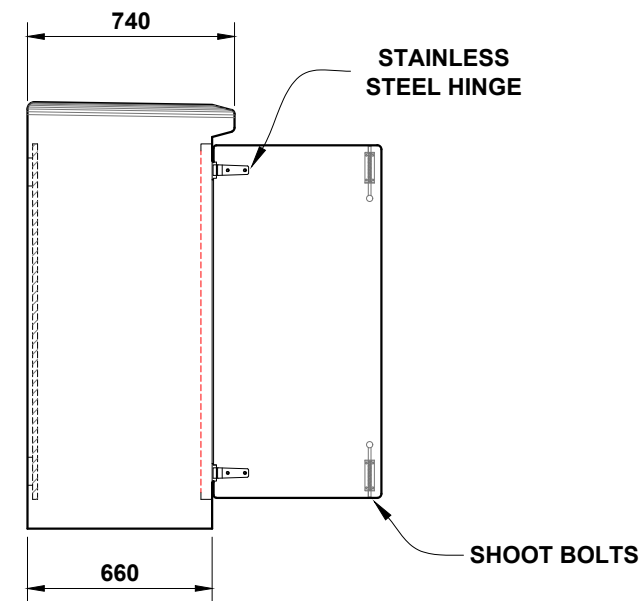
# Elevation (C) (l/h side)



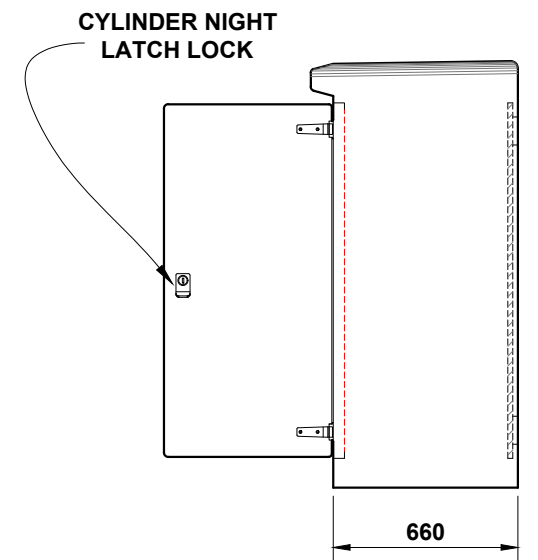
# Elevation (D) (r/h side)



# Elevation (C) (l/h side) Door Open



# Elevation (D) (r/h side) Door Open



THE DRAWING AND DESIGN IS THE PROPERTY OF ENVICO ENGINEERING LTD. AND WITHOUT THE WRITTEN CONSENT OF ENVICO ENGINEERING LTD. MAY NOT BE COPIED IN WHOLE OR IN PART OR COMMUNICATED TO A THIRD PARTY OR USED FOR ANY PURPOSE.

## Envico Engineering Limited

Tel : 01792 794 619  
Fax : 01792 793 532

Nantylfin Road (South), Enterprise park, Llansamlet  
Swansea, SA7 9RG, South Wales.

INTERNAL WIDTH : 1390mm

INTERNAL DEPTH : 605mm

INTERNAL HEIGHT : 1465mm

APPROX. WEIGHT : 95kg

Date : 18/02/2019

Drawn By : D O'Malley

GRP HOUSING : ROADSIDE RANGE TYPE J

Drawing Scale : Not To Scale

Drawing No : TYPE J

Rev :