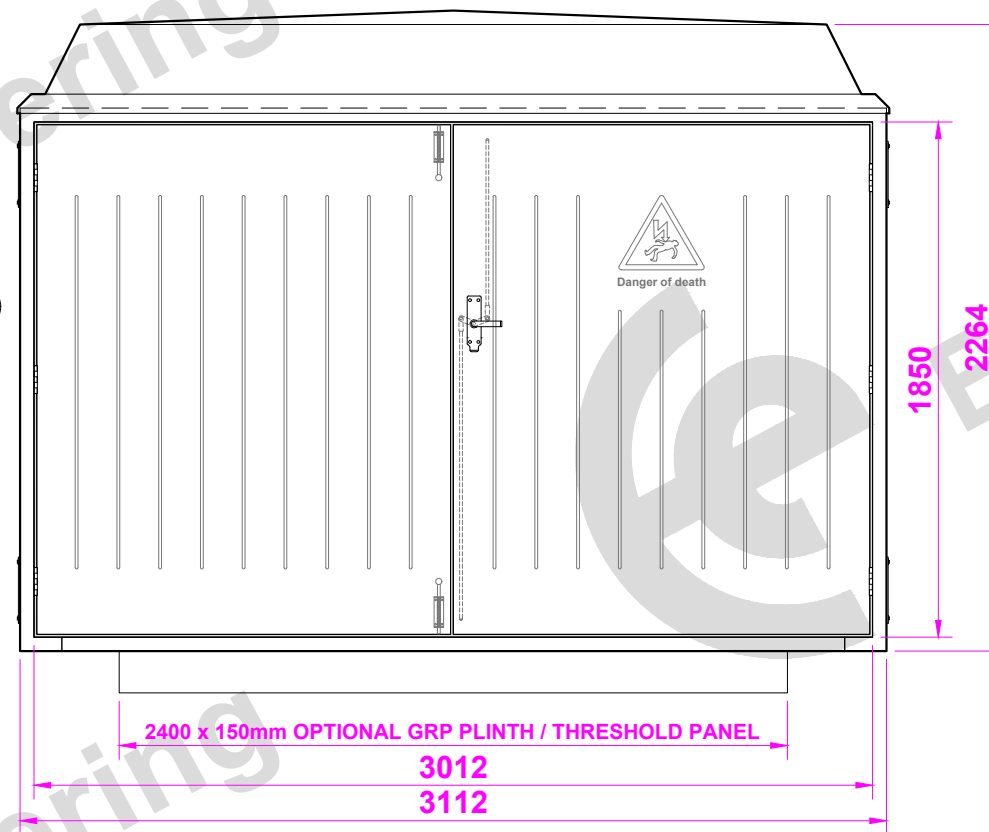
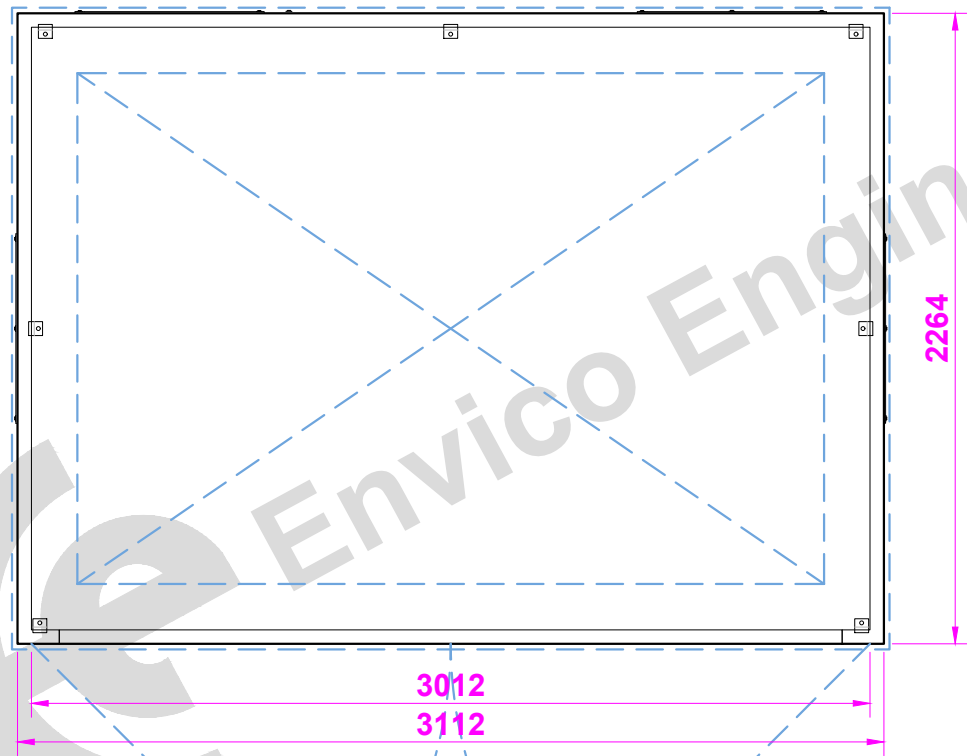


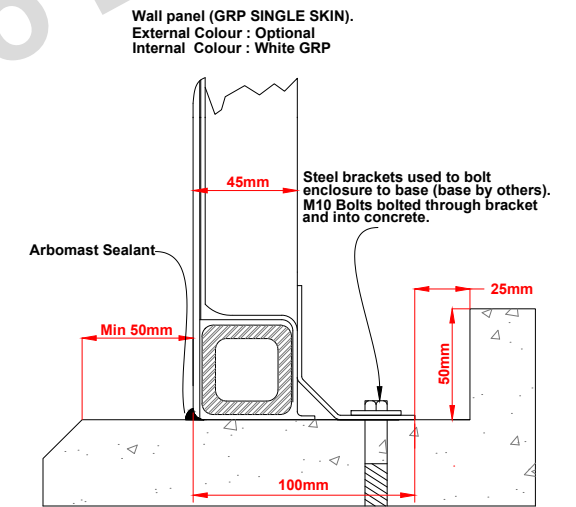
Plan View



Elevation (A) (front)



TYPICAL STEPPED BASE DETAIL (RECOMMENDED)

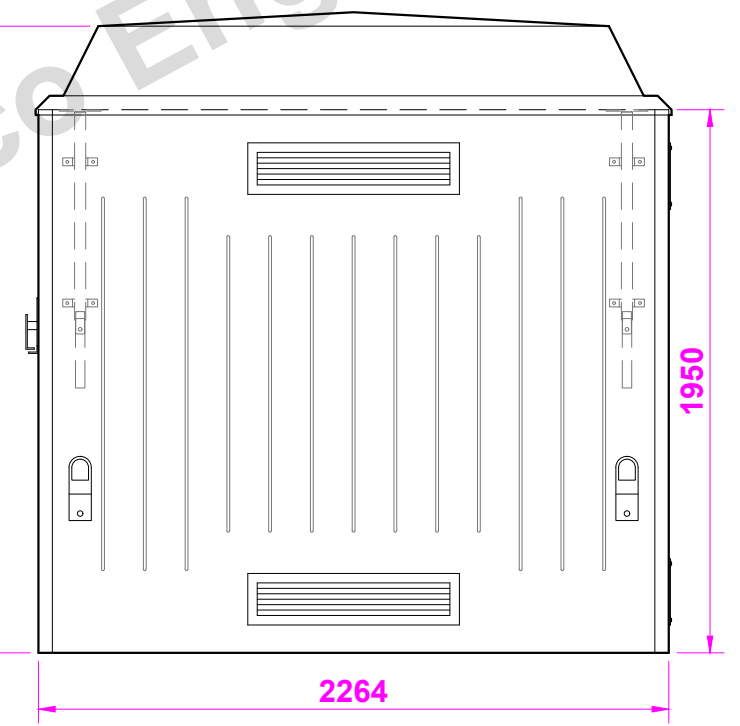
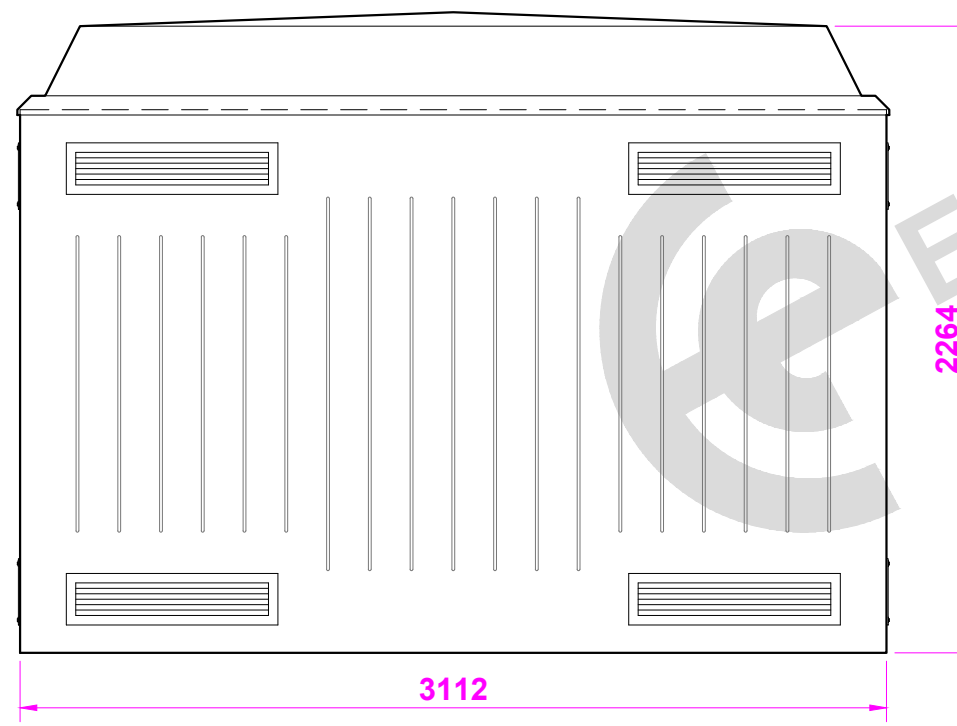
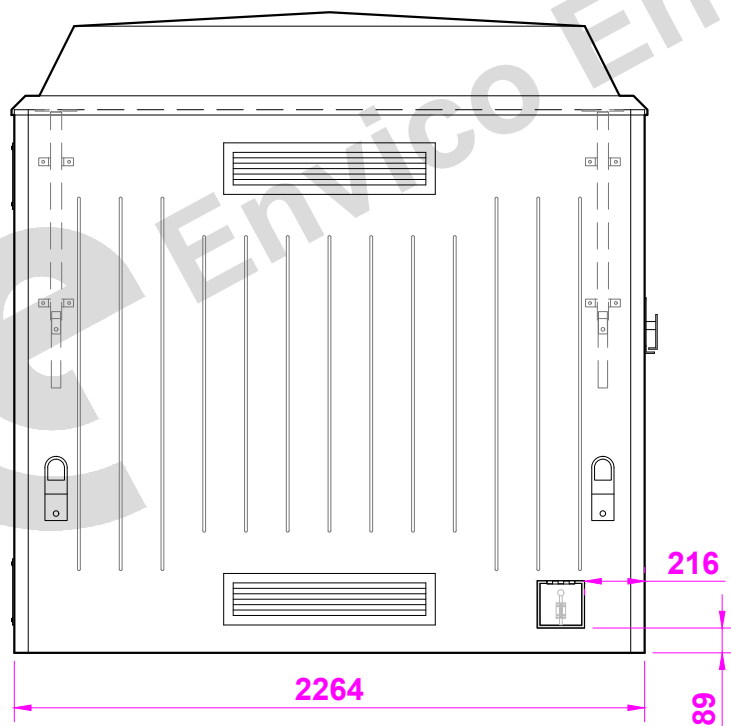


Elevation (B) (l/h side)



Elevation (C) (rear)

Elevation (D) (r/h side)





**G.R.P HOUSING  
MODEL TR1**  
APPROX WEIGHT: 440kg

**CONSTRUCTION DETAILS**  
INTERNAL WIDTH : 3002mm  
INTERNAL DEPTH : 2154mm  
INTERNAL HEIGHT : 2250mm  
  
EXTERNAL WIDTH : 3112mm  
EXTERNAL DEPTH : 2264mm  
EXTERNAL HEIGHT : 2264mm

**G.R.P CONSTRUCTION**  
LAYER 1. GEL COAT, COLOURED.  
LAYER 2. 450GRM/M.SQ GLASS & RESIN  
LAYER 3. 450GRM/M.SQ GLASS & RESIN  
LAYER 4. 450GRM/M.SQ GLASS & RESIN  
ALL RESIN TO CLASS II FIRE RETARDANT GRADE.  
ALL REINFORCING BETWEEN LAYERS 3 & 4  
ROOF DOUBLE SKINNED WITH 18mm FOAM INFILL.

**PARTS LIST**

| ITEM                                | QTY. | COMMENTS        | ITEM                            | QTY. | COMMENTS                    |
|-------------------------------------|------|-----------------|---------------------------------|------|-----------------------------|
| GRP DOUBLE DOOR                     | 1    | 3012mm X 1850mm | 10/10 DOOR STAYS                | 2    | ELEVATION A                 |
| STAINLESS STEEL DOOR HINGES         | 6    | ELEVATION A     | DANGER OF DEATH DOOR MOULD      | 1    | ELEVATION A                 |
| ST - STEEL ESPAGNOLETTE LATCH       | 1    | ELEVATION A     | GALV LOUVRE VENTS 760mm X 185mm | 8    | ELEVATIONS B, C & D         |
| ST-STEEL SPRING TOWER BOLTS         | 2    | ELEVATION A     | EXPLOSION RELIEF BRACKETS       | 4    | ELEVATIONS B & D            |
| REMOVABLE THRESHOLD                 | 1    | ELEVATION A     | LIFTING EYES                    | 4    | ELEVATIONS B & D            |
| GENERATOR CABLE HATCH 170mm X 170mm | 1    | ELEVATION B     | ST - STEEL FIXING FEET          | 7    | DRILLED FOR M10 X 100 BOLTS |



**Envico Engineering**

THE DRAWING AND DESIGN IS THE PROPERTY OF ENVICO ENGINEERING LTD. AND WITHOUT THE WRITTEN CONSENT OF ENVICO ENGINEERING LTD. MAY NOT BE COPIED IN WHOLE OR IN PART OR COMMUNICATED TO A THIRD PARTY OR USED FOR ANY PURPOSE.