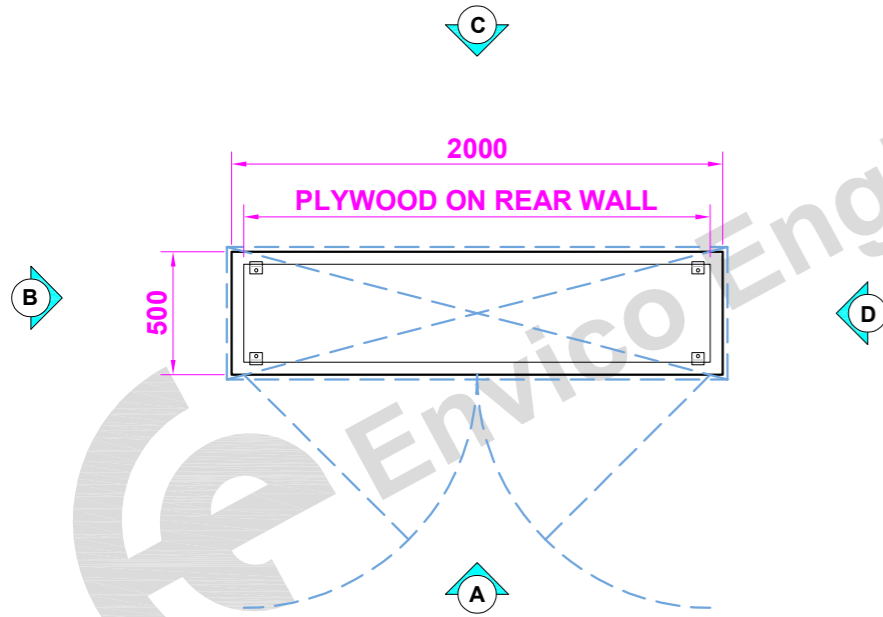
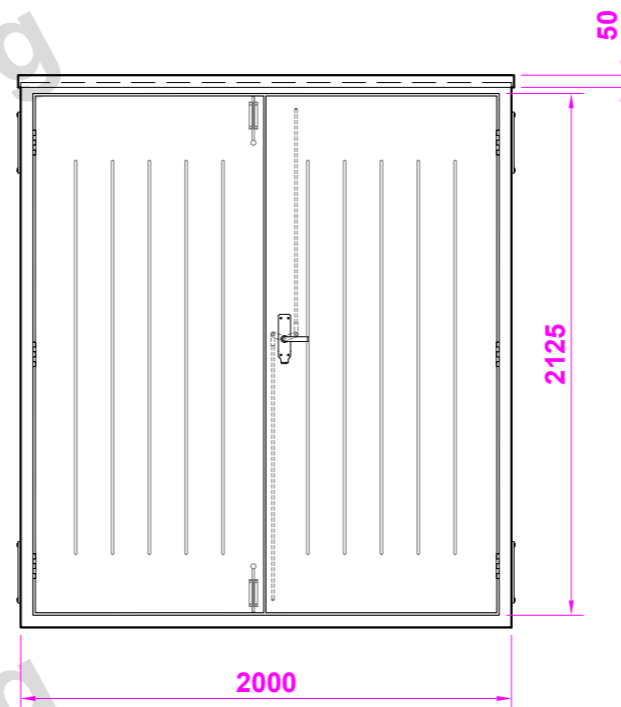


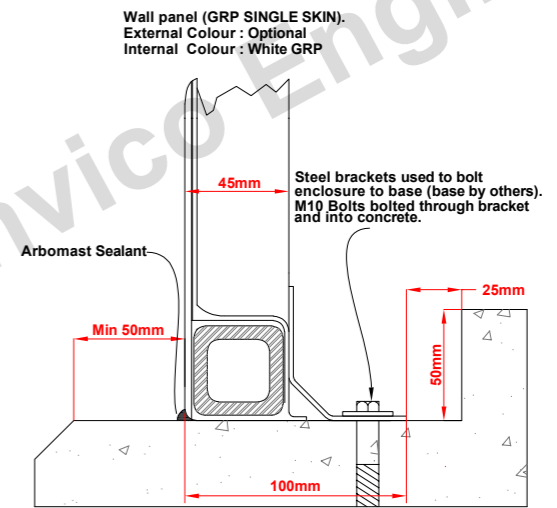
Plan View



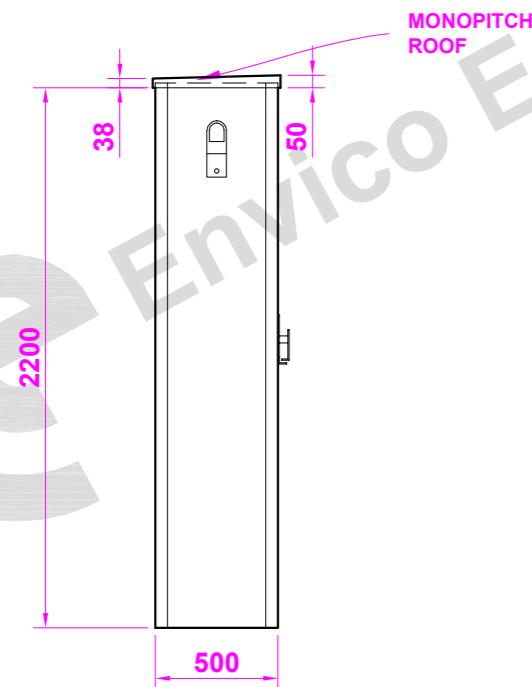
Elevation (A) (front)



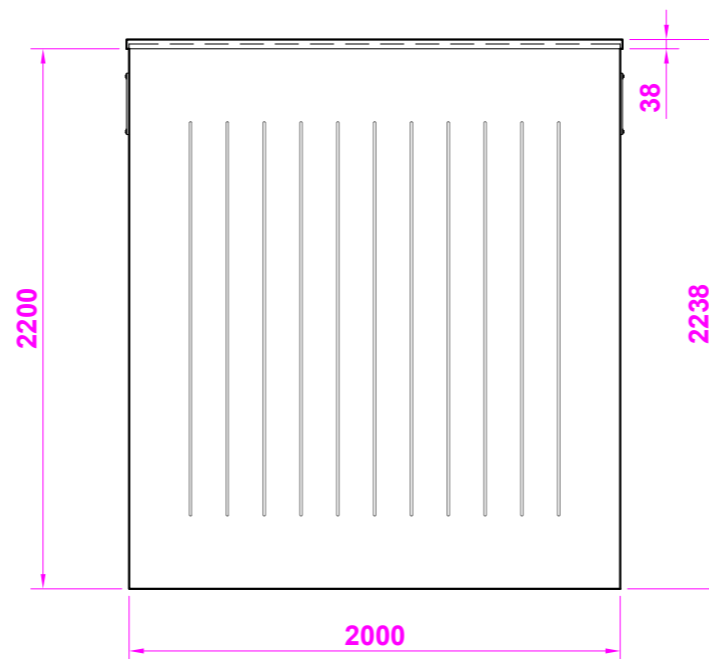
TYPICAL STEPPED BASE DETAIL (RECOMMENDED)



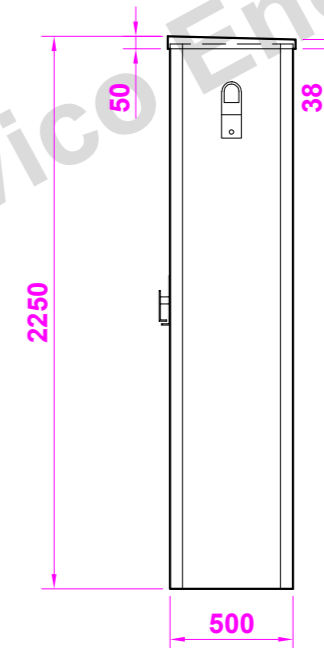
Elevation (B) (l/h side)



Elevation (C) (rear)



Elevation (D) (r/h side)



CONSTRUCTION DETAILS

INTERNAL WIDTH : 1890mm
INTERNAL DEPTH : 390mm
INTERNAL HEIGHT : 2275mm

EXTERNAL WIDTH : 2000mm
EXTERNAL DEPTH : 500mm
EXTERNAL HEIGHT : 2375mm

G.R.P CONSTRUCTION

LAYER 1. GEL COAT, COLOURED.
LAYER 2. 450GRM/M.SQ GLASS & RESIN
LAYER 3. 450GRM/M.SQ GLASS & RESIN
LAYER 4. 450GRM/M.SQ GLASS & RESIN

ALL RESIN TO CLASS II FIRE RETARDANT GRADE.

FRONT & BACK REINFORCED BY WELDED
40 x 40 STEEL BOX FRAME.
DOORS TO HAVE STEEL ALL
ROUND WITH TIMBER STIFFNERS.
ROOF TO HAVE TIMBER STIFFNERS WITH
PRESSED STEEL ANGLE AROUND BASE.

PARTS LIST

ITEM	QTY.	COMMENTS	ITEM	QTY.	COMMENTS
GRP DOUBLE DOOR	1	1900mm X 2125mm	TIMBER BATTENS		ENCAPSULATED IN ROOF
STAINLESS STEEL DOOR HINGES	6	ELEVATIONS A (DOORS)	18mm SADOLIN TREATED PLY BOARD	1	MOUNTED TO REAR WALL
ST - STEEL ESPAGNOLETTE LATCH	1	ELEVATIONS A	ST - STEEL FIXING FEET	4	DRILLED FOR M10 X 100 BOLTS
ST-STEEL SPRING TOWER BOLTS	2	ELEVATION A	LIFTING EYES	2	ELEVATIONS B & D
10/10 STEEL DOOR STAYS	2	ELEVATION A			



**G.R.P HOUSING
MODEL TR12 TYPE A**

APPROX WEIGHT: 200kg



Envico Engineering

THE DRAWING AND DESIGN IS THE PROPERTY OF ENVICO ENGINEERING LTD. AND WITHOUT THE WRITTEN CONSENT OF ENVICO ENGINEERING LTD. MAY NOT BE COPIED IN WHOLE OR IN PART OR COMMUNICATED TO A THIRD PARTY OR USED FOR ANY PURPOSE.