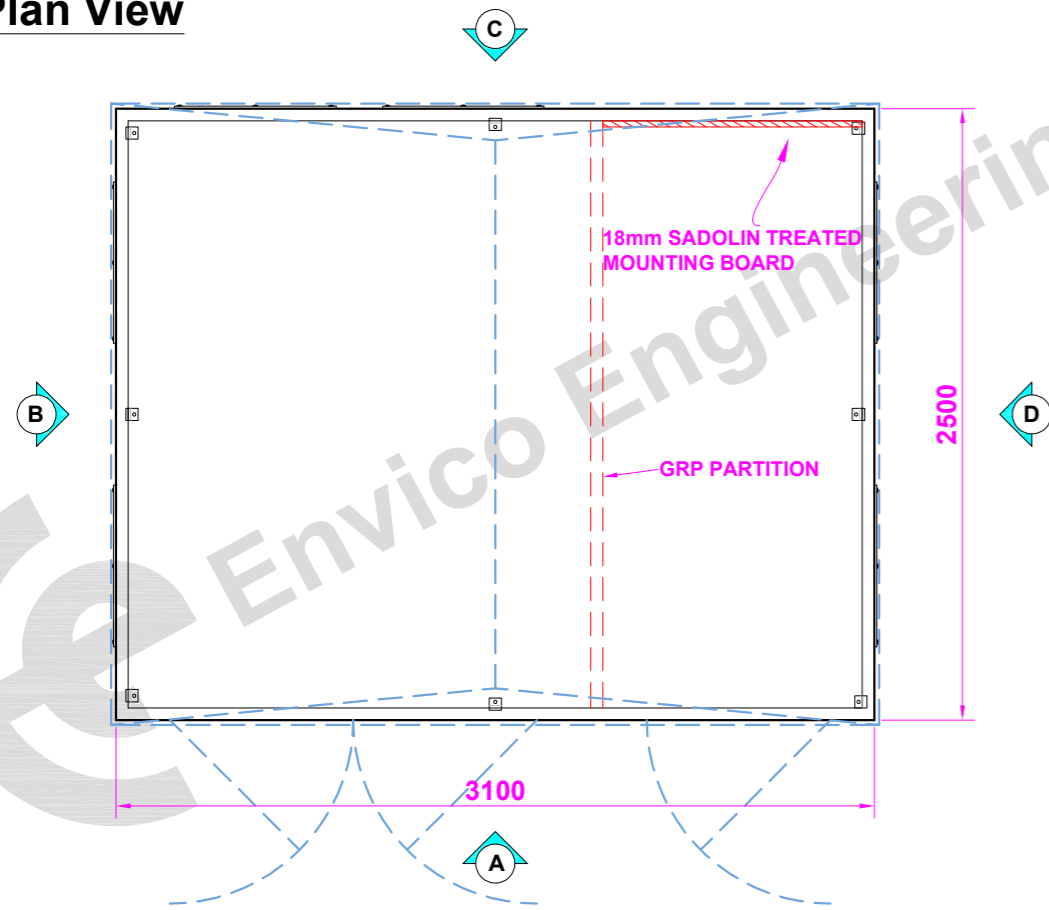
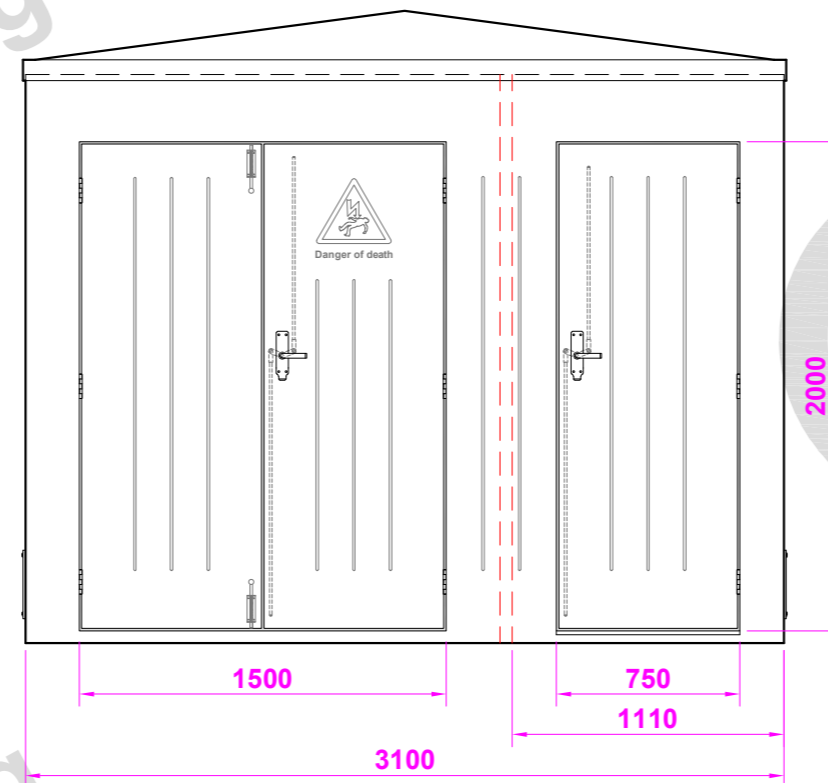


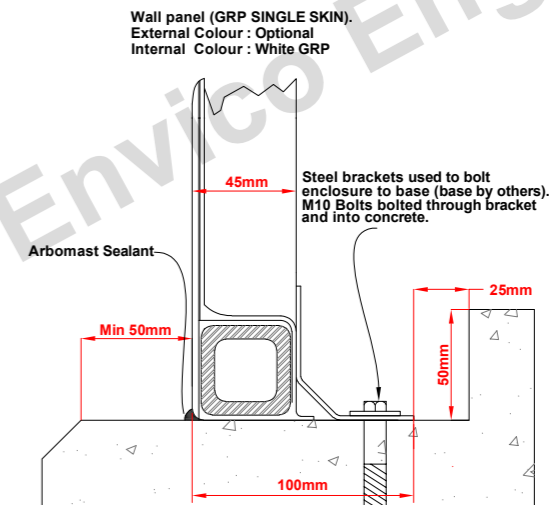
Plan View



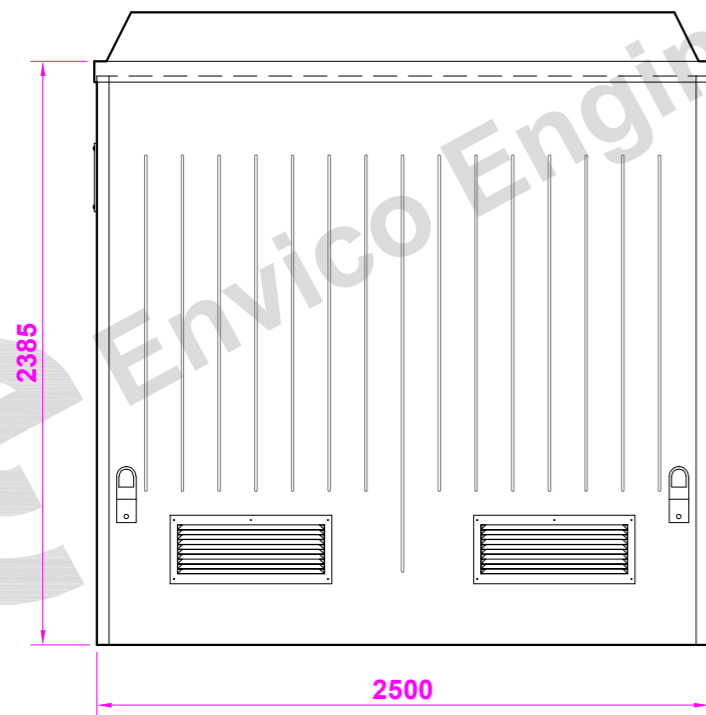
Elevation (A) (front)



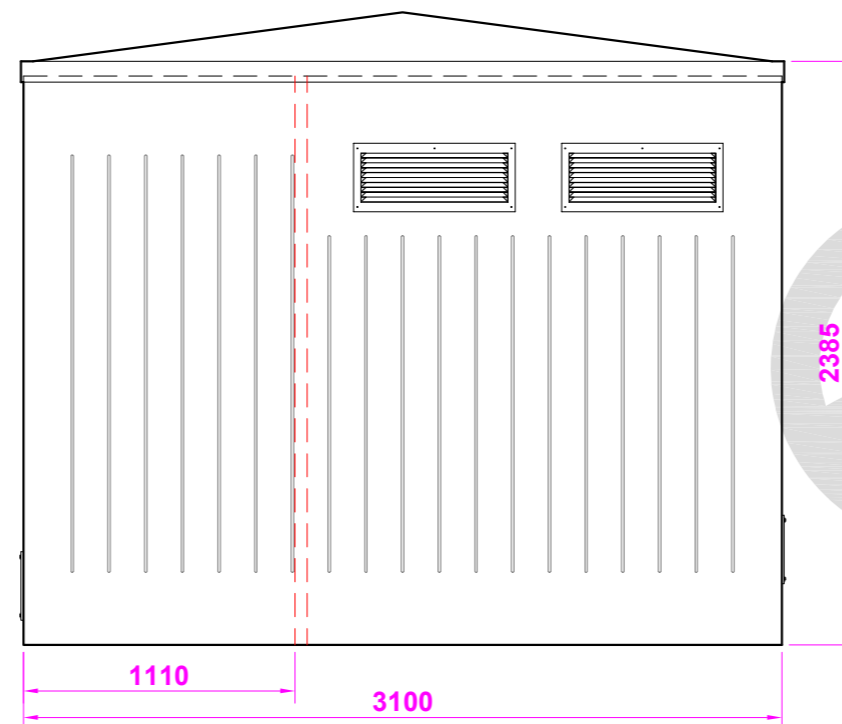
TYPICAL STEPPED BASE DETAIL (RECOMMENDED)



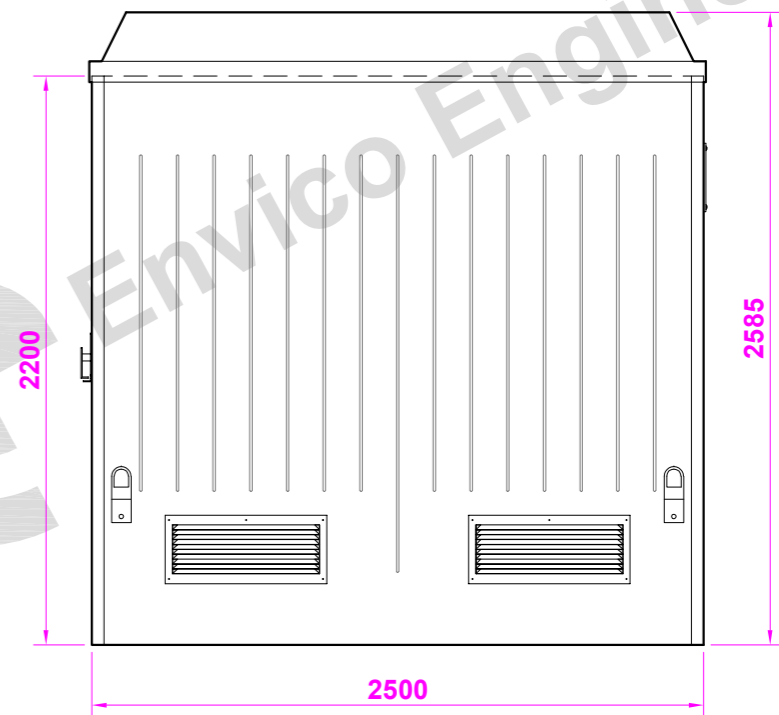
Elevation (B) (l/h side)



Elevation (C) (rear)



Elevation (D) (r/h side)



PARTS LIST

| ITEM | QTY. | COMMENTS | ITEM | QTY. | COMMENTS |
|-------------------------------|------|--------------------------------|-------------------------------------|------|-----------------------------|
| GRP DOUBLE DOOR | 1 | ELEVATION A 1500mm X 2000mm | GALV STEEL VENTS | 6 | ELEVATIONS B, C & D |
| GRP SINGLE DOOR | 1 | ELEVATION A 750mm X 2000mm | DANGER OF DEATH MOULD | 1 | ELEVATION A (IN DOORS) |
| STAINLESS STEEL DOOR HINGES | 9 | ELEVATIONS A (DOORS) | EXPLOSION RELIEF BRACKETS | 4 | |
| ST - STEEL ESPAGNOLETTE LATCH | 2 | ELEVATION A | ST - STEEL FIXING FEET | 8 | DRILLED FOR M10 X 100 BOLTS |
| ST-STEEL SPRING TOWER BOLTS | 2 | ELEVATION A | LIFTING EYES | 4 | ELEVATIONS B & D |
| 10/10 DOOR STAYS | 3 | ELEVATION A | 18mm SADOLIN TREATED MOUNTING BOARD | 1 | ON REAR WALL - SEE DRAWING |
| GRP PARTITION | 1 | SEE DRAWING | | | |

CONSTRUCTION DETAILS

INTERNAL WIDTH : 2990mm
INTERNAL DEPTH : 2390mm
INTERNAL HEIGHT : 2300mm

EXTERNAL WIDTH : 3100mm
EXTERNAL DEPTH : 2500mm
EXTERNAL HEIGHT : 2585mm

G.R.P CONSTRUCTION

LAYER 1. GEL COAT, COLOURED.
LAYER 2. 450GRM/M.SQ GLASS & RESIN
LAYER 3. 450GRM/M.SQ GLASS & RESIN
LAYER 4. 450GRM/M.SQ GLASS & RESIN

ALL RESIN TO CLASS II FIRE RETARDANT GRADE.
ALL REINFORCING BETWEEN LAYERS 3 & 4

**G.R.P HOUSING
MODEL TR16**

APPROX WEIGHT: 580kg



THE DRAWING AND DESIGN IS THE PROPERTY OF ENVICO ENGINEERING LTD. AND WITHOUT THE WRITTEN CONSENT OF ENVICO ENGINEERING LTD. MAY NOT BE COPIED IN WHOLE OR IN PART OR COMMUNICATED TO A THIRD PARTY OR USED FOR ANY PURPOSE.