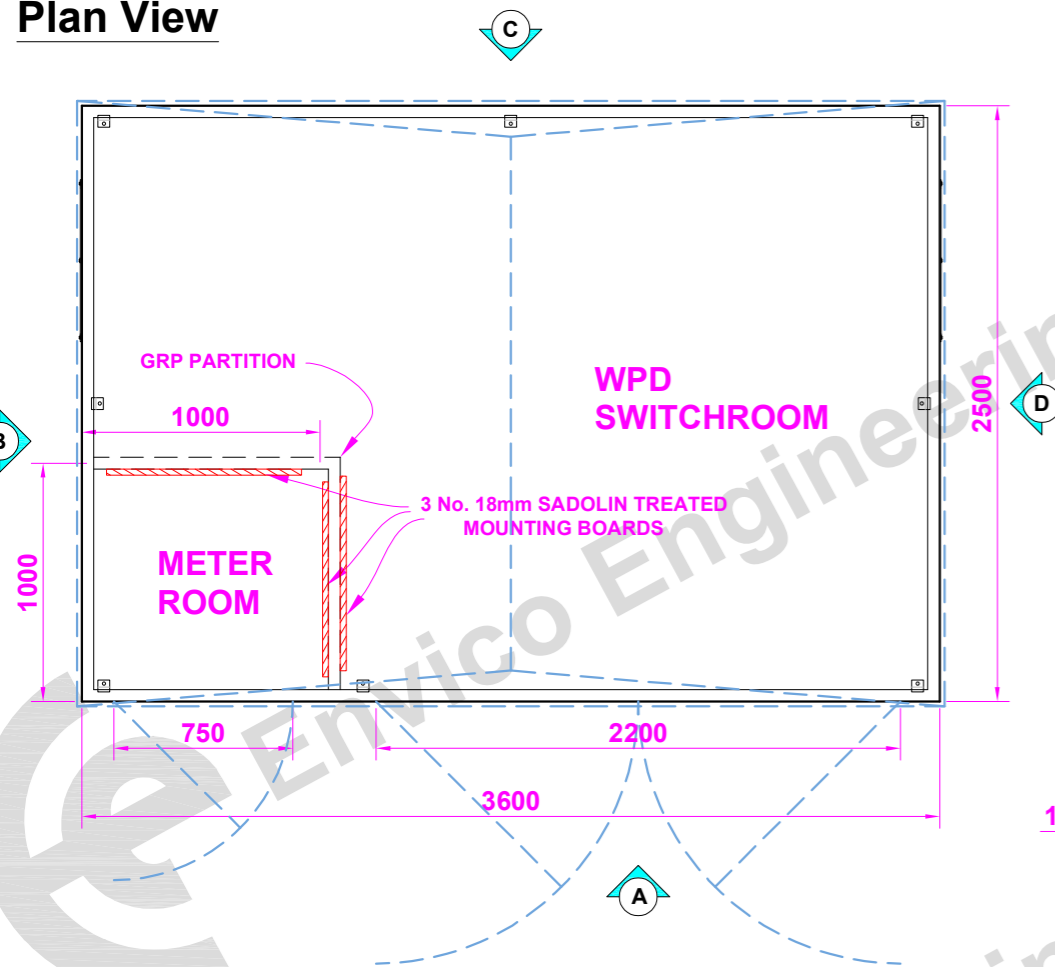
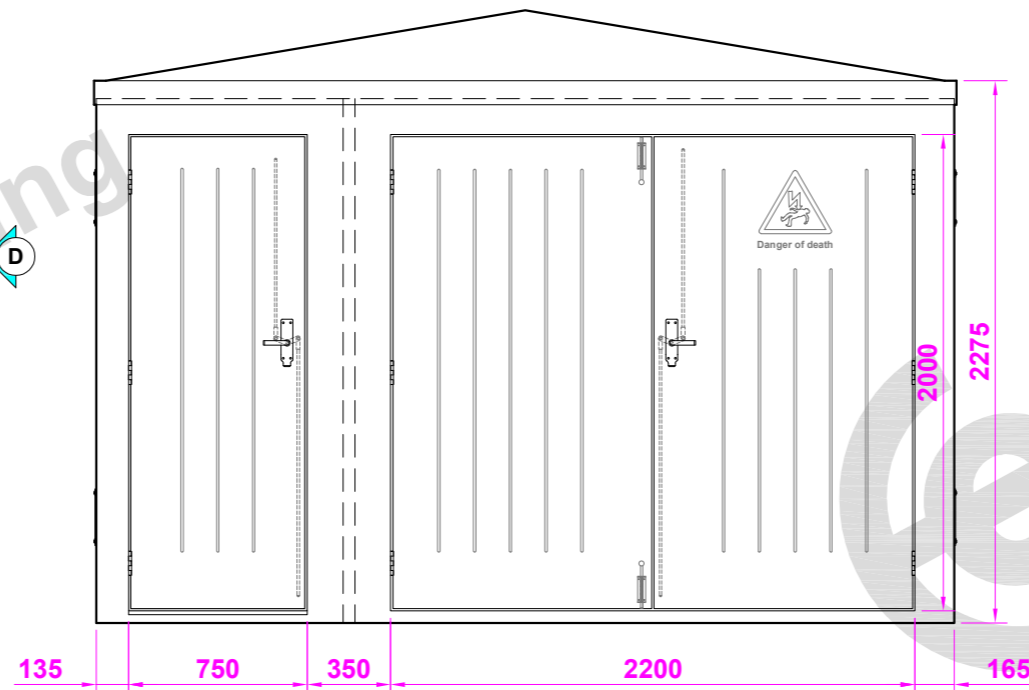


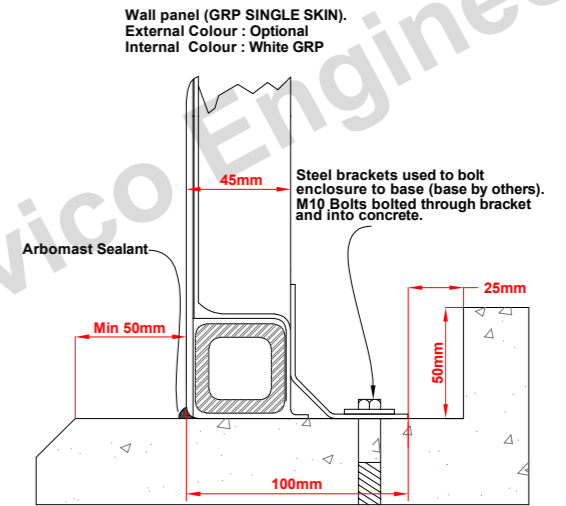
Plan View



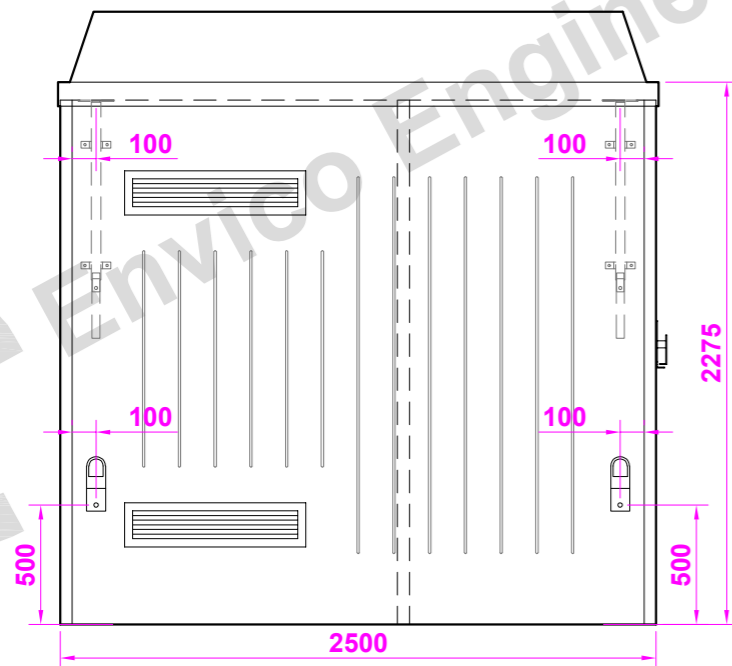
Elevation (A) (front)



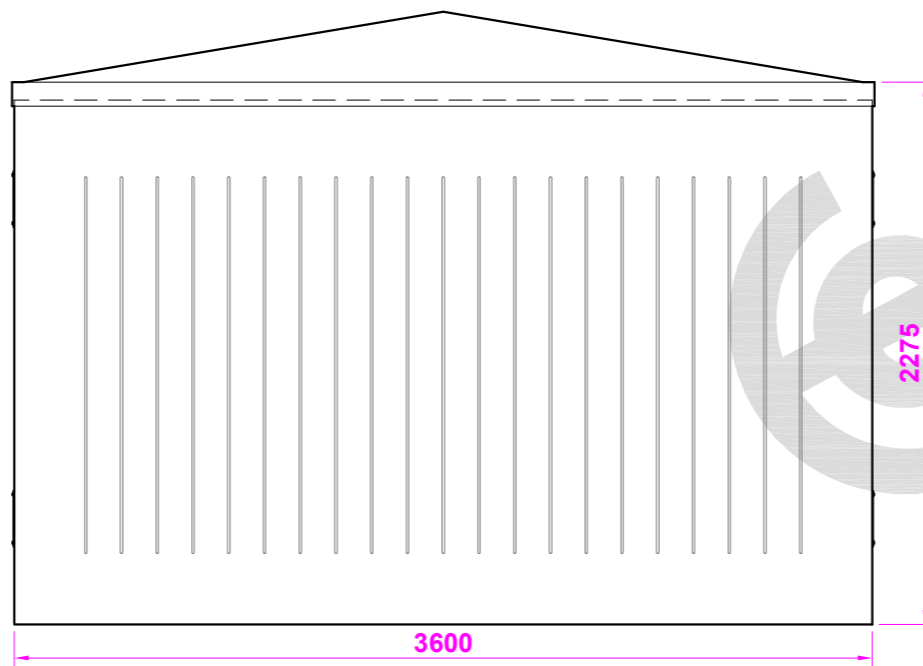
TYPICAL STEPPED BASE DETAIL (RECOMMENDED)



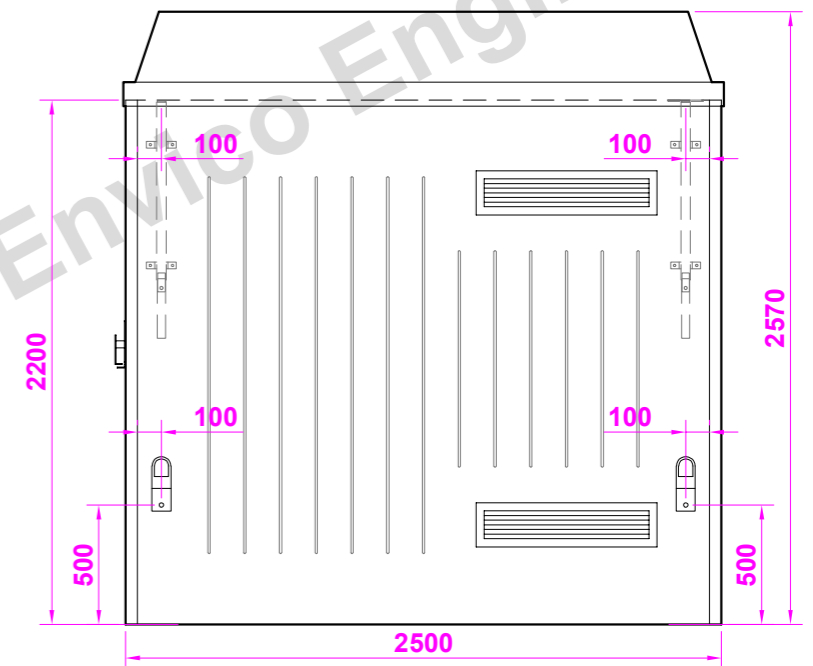
Elevation (B) (l/h side)



Elevation (C) (rear)



Elevation (D) (r/h side)



**G.R.P HOUSING
MODEL TR17**
APPROX WEIGHT: 650kg

CONSTRUCTION DETAILS

INTERNAL WIDTH : 3490mm
INTERNAL DEPTH : 2390mm
INTERNAL HEIGHT : 2275mm

EXTERNAL WIDTH : 3600mm
EXTERNAL DEPTH : 2500mm
EXTERNAL HEIGHT : 2570mm

G.R.P CONSTRUCTION

LAYER 1. GEL COAT, COLOURED.
LAYER 2. 450GRM/M.SQ GLASS & RESIN
LAYER 3. 450GRM/M.SQ GLASS & RESIN
LAYER 4. 450GRM/M.SQ GLASS & RESIN

ALL RESIN TO CLASS II FIRE RETARDANT GRADE.
ALL REINFORCING BETWEEN LAYERS 3 & 4

PARTS LIST

ITEM	QTY.	COMMENTS	ITEM	QTY.	COMMENTS
GRP DOUBLE DOOR	1	ELEVATION A 2200mm X 2000mm	GRP COWL VENTS 660mm X 280mm	6	ELEVATIONS B & D
GRP SINGLE DOOR	1	ELEVATION A 750mm X 2000mm	DANGER OF DEATH MOULD	1	ELEVATION A (IN DOORS)
STAINLESS STEEL DOOR HINGES	9	ELEVATIONS A (DOORS)	EXPLOSION RELIEF BRACKETS	4	ELEVATIONS B & D
ST - STEEL ESPAGNOLETTE LATCH	2	ELEVATION A	ST - STEEL FIXING FEET	8	DRILLED FOR M10 X 100 BOLTS
ST-STEEL SPRING TOWER BOLTS	2	ELEVATION A	LIFTING EYES	4	ELEVATIONS B & D
10/10 DOOR STAYS	3	ELEVATION A	18mm SADOLIN TREATED MOUNTING BOARD	3	SEE DRAWING
			GRP PARTITION	1	SEE DRAWING



Envico Engineering

THE DRAWING AND DESIGN IS THE PROPERTY OF ENVICO ENGINEERING LTD. AND WITHOUT THE WRITTEN CONSENT OF ENVICO ENGINEERING LTD. MAY NOT BE COPIED IN WHOLE OR IN PART OR COMMUNICATED TO A THIRD PARTY OR USED FOR ANY PURPOSE.