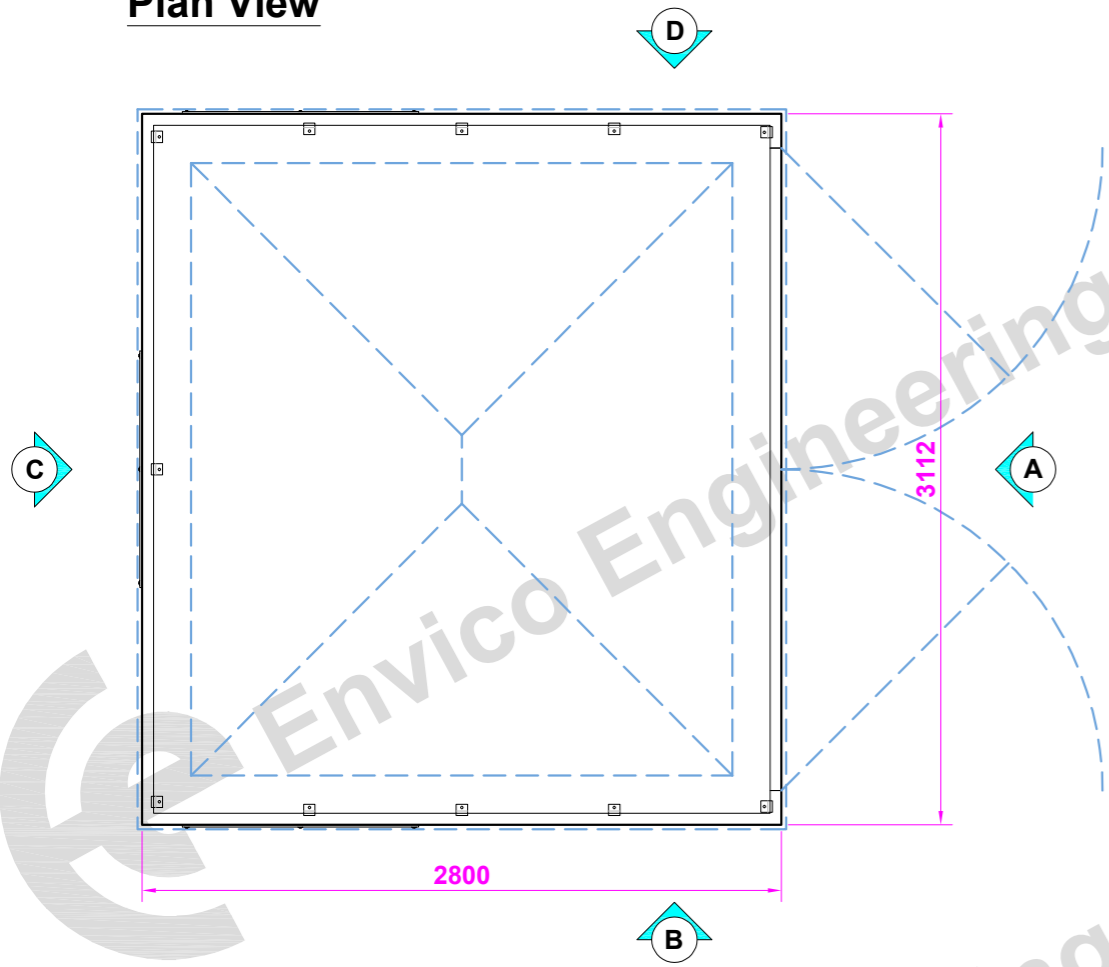
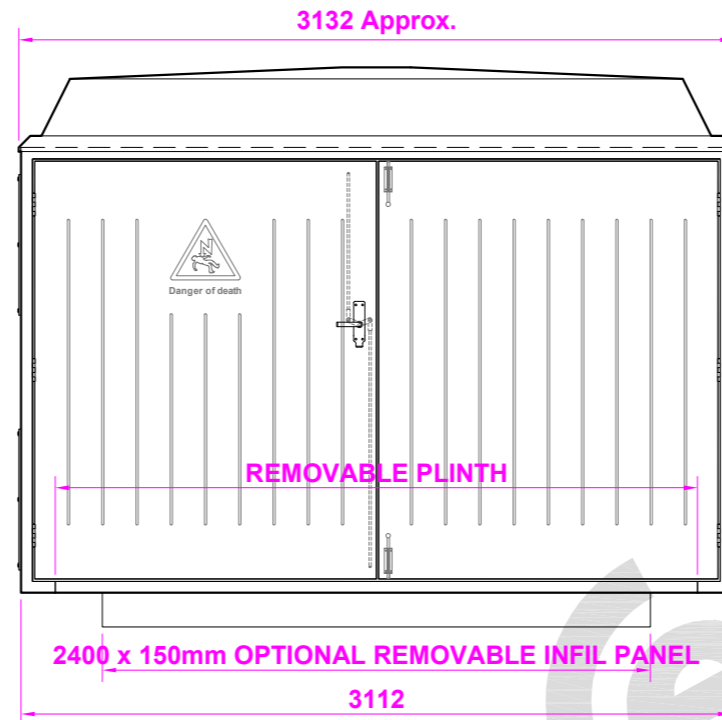


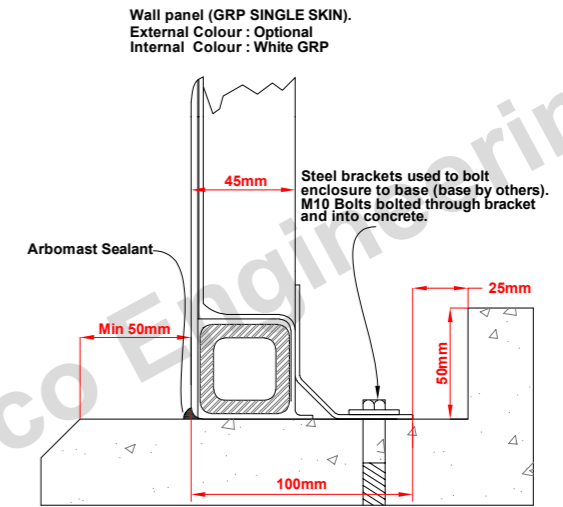
Plan View



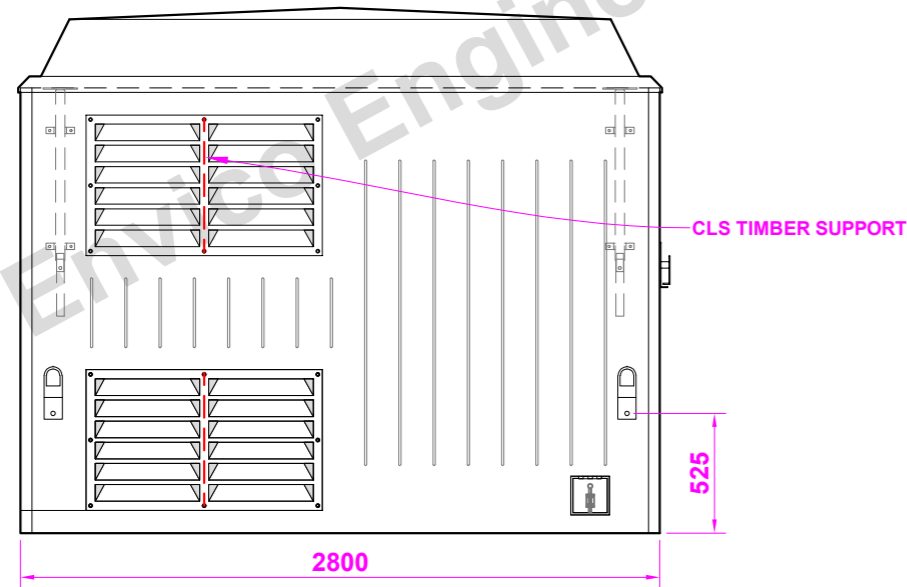
Elevation (A) (front)



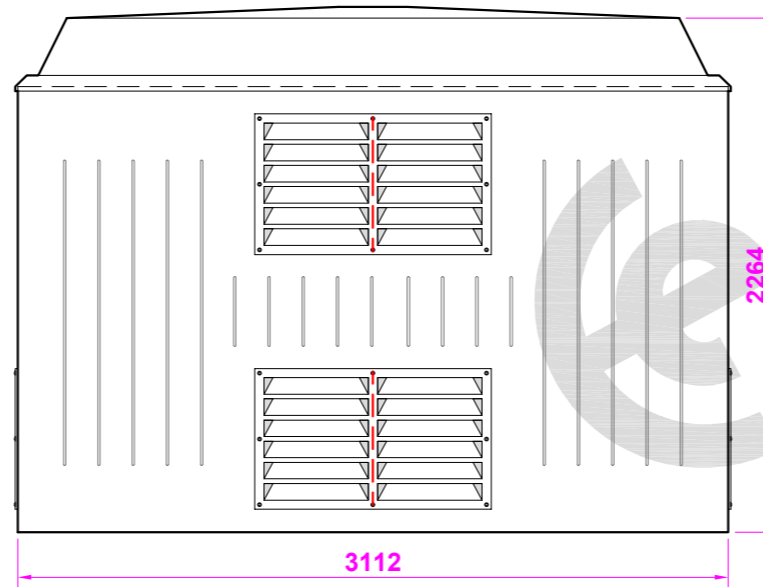
TYPICAL STEPPED BASE DETAIL (RECOMMENDED)



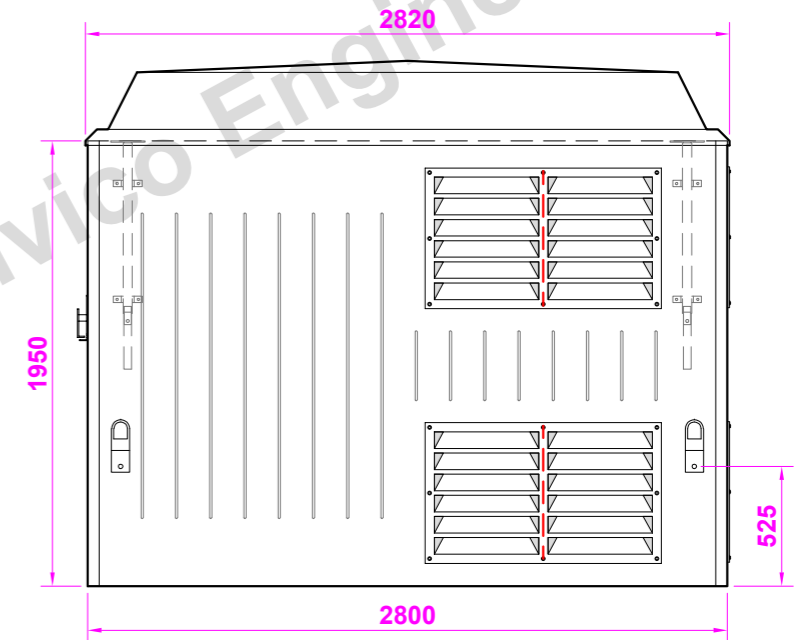
Elevation (B) (l/h side)



Elevation (C) (rear)



Elevation (D) (r/h side)



PARTS LIST

ITEM	QTY.	COMMENTS	ITEM	QTY.	COMMENTS
GRP DOUBLE DOOR	1	ELEVATION A 3012mm X 1850mm	GRP INJECTION MOULDED VENTS	6	ELEVATIONS B, C & D 1035mm X 616mm
GENERATOR CATFLAP	1	170mm X 170mm - ELEVATION B	DANGER OF DEATH MOULD	1	ELEVATION A
STAINLESS STEEL DOOR HINGES	6	ELEVATIONS A (DOORS)	EXPLOSION RELIEF BRACKETS	4	ELEVATIONS B & D
ST - STEEL ESPAGNOLETTE LATCH	1	ELEVATION A	ST - STEEL FIXING FEET	7	
ST-STEEL SPRING TOWER BOLTS	2	ELEVATION A	LIFTING EYES	4	ELEVATIONS B & D
10/10 DOOR STAYS	2	ELEVATION A	LOCKING SHROUD	2	C/W SINGLE OR DOUBLE LOCKING
TIMBER BATTENS		ENCAPSULATED IN ROOF	REMOVABLE PLINTH	1	ELEVATION A (IN DOORS)

CONSTRUCTION DETAILS

INTERNAL WIDTH : 3002mm
INTERNAL DEPTH : 2690mm
INTERNAL HEIGHT : 2250mm

EXTERNAL WIDTH : 3112mm
EXTERNAL DEPTH : 2800mm
EXTERNAL HEIGHT : 2264mm

G.R.P CONSTRUCTION

LAYER 1. GEL COAT, COLOURED.
LAYER 2. 450GRM/M.SQ GLASS & RESIN
LAYER 3. 450GRM/M.SQ GLASS & RESIN
LAYER 4. 450GRM/M.SQ GLASS & RESIN

ALL RESIN TO CLASS II FIRE RETARDANT GRADE.
ALL REINFORCING BETWEEN LAYERS 3 & 4

**G.R.P HOUSING
MODEL TR18**

APPROX WEIGHT: 500kg



THE DRAWING AND DESIGN IS THE PROPERTY OF ENVICO ENGINEERING LTD. AND WITHOUT THE WRITTEN CONSENT OF ENVICO ENGINEERING LTD. MAY NOT BE COPIED IN WHOLE OR IN PART OR COMMUNICATED TO A THIRD PARTY OR USED FOR ANY PURPOSE.